

OPERATING INSTRUCTIONS

2872B



| DENRAY MACHINE | |
|-----------------|--------------------|
| (800) 766-8263 | |
| MODEL NUMBER | 2872B |
| SERIAL NUMBER | 476174 |
| MOTOR HP | 2.0 AMP 5.8/2.9 |
| VOLTAGE | 230 460 3 PH /60Hz |
| FAN TYPE | 16" LC |
| MFG DATE | 02/06/2023 |
| FILTER NUMBER | EO6060 |
| SWITCH TYPE | DRAF16-13U |
| Overload Number | TF42-7.6 |

To find YOUR tables pertinent information please locate the table sticker on your table.

*Please note the image above is a "generic" table sticker for visual purposes only! The table sticker on your machine reflects how it left the manufacturer and does not reflect any after-market changes made by previous owners. If you have questions please call Denray Machine at (800) 766-8263.

WARRANTY

This Machine is covered with a 12 month warranty. The warranty covers replacement parts, except filters and wooden top (if applicable). The only way Denray will cover the labor is the work must be done by Denray at Denray's Facility. The shipping must be provided by the customer (owner of the machine) both ways. You may contact the dealer you purchased the machine from, and discuss with them, the possibility of their assistance in helping to solve the problem in your facility. Denray assumes or accepts no responsibility more than the cost of the machine. In the case of repair Denray will determine either to fix or replace the product. Denray reserves the right to modify or change the design of this and any model of their machines, without changing or updating any previous manufactured machine. The warranty will not cover any damage done by fire or any other act of nature or if abuse or improper maintenance was or was not performed.

Never Allow Any Unauthorized or Untrained Person To Operate This Machine

Lockout and tagout any time maintenance is performed on this machine

WARNING
NEVER GRIND OR SAND ANY ALUMINUM OR MAGNESIUM, OR ANY SPARK CREATING PRODUCT ON THIS MACHINE

Filters are the main need of maintenance, the cleaner the filters are kept the better the machine will perform. This machine is equipped with timers to clean the filters, every so many minutes a pulse of air will be released into one of the filters, and a few minutes later the other filter will be pulsed, the time is needed to refill the tank. The time between pulses are adjustable, refer to the electrical diagram. Warning if the time is reduced between pulses the filter may plug up reducing the machines performance. The filters can also be pulsed with the machine off, it may blow dust back into the work area, so caution should be used here, pulse the machine then turn machine on to pull dust back into the filters.



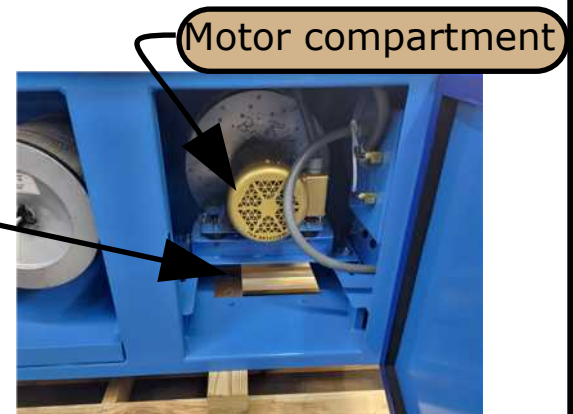
The filters will clean better with machine off, you may shut machine off and before it slows down to a complete stop, pulse the filter and allow the fan to prevent the dust from exiting the filter compartment. Filter replacement number is on the inside of the filter door. Be sure to replace with same type of filter or a filter made of polyester media.

Cartridge Filters 99.95% efficiency down to .5 micron

Dust Drawer Clean regularly, as needed

Filter replacement number Is on inside of this door. MUST replace with the proper fire retardant filter

The exhaust air will exit through opening to the floor, if muffler is added the plate on the end will be located here to force the air through the muffler



Air Tank View (Generic)

Never Open Any Door While Machine Is Running



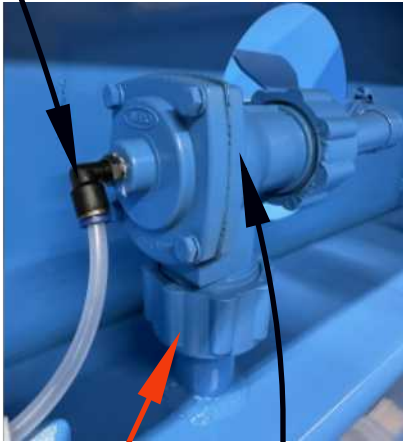
**Incoming airline
90-120 psi**

Drain Moisture from tank daily, and provide clean dry air from factory compressed air

Air Tank

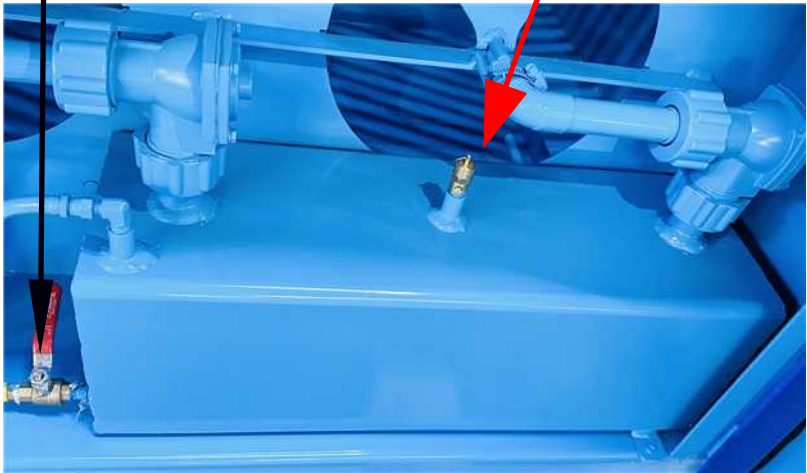
150 PSI Pressure relief valve, 1/4" NPT Male, if you have air leaking from the tank area, this is the 1st place to check.

Push on air line if you hear a fog horn noise check each fitting for leaks

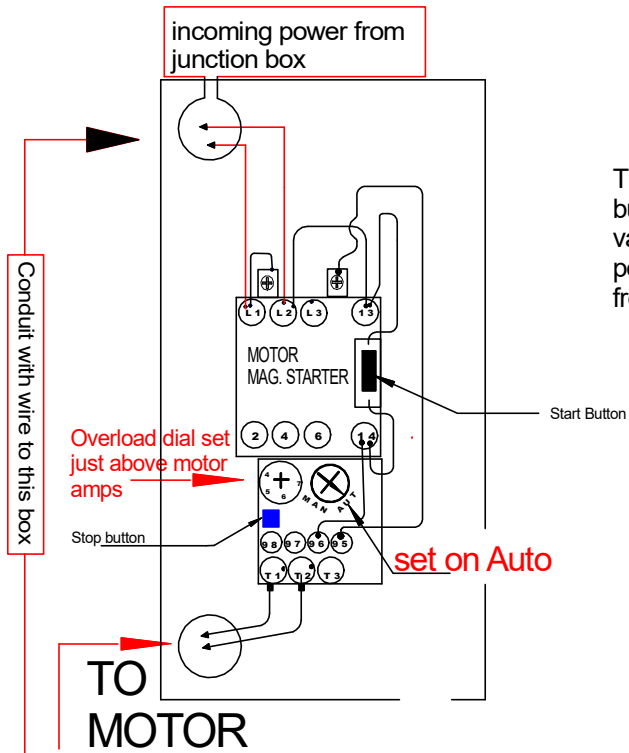


Valve to release air into the filters to clean them

Compression nut that holds valve to the tank. Always apply a small amount of either grease or oil to the threads when reassembling to the tank.

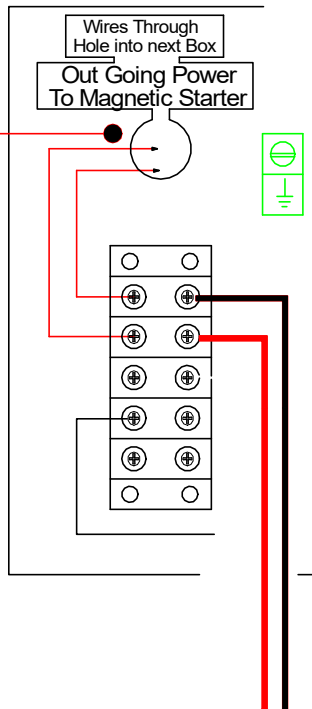
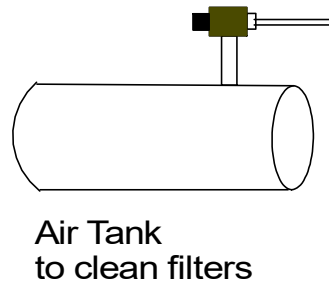


115/220 Volt 1 phase Push Button clean only



The clear Hose only carry about 5 PSI The push button drains the air from the hose causing the valve to pulse thus cleaning the filters. No Electrical power needed or incoming air needed, air comes from the air tank

Valves to clean Filters

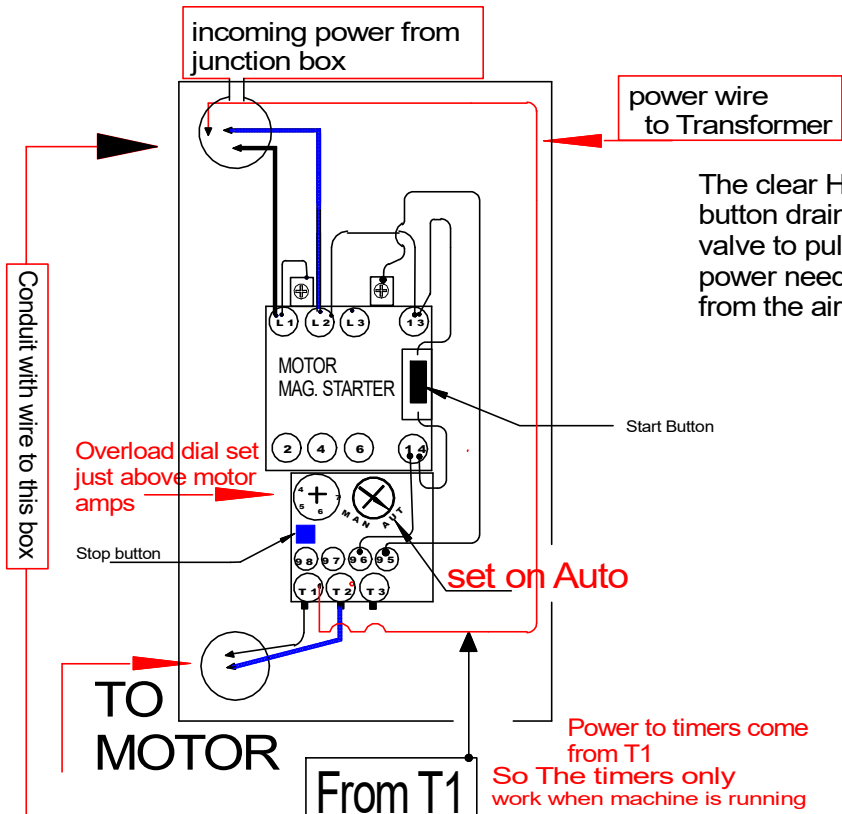


Box on outside of machine for easy wire hook up

115/220 1Ph -

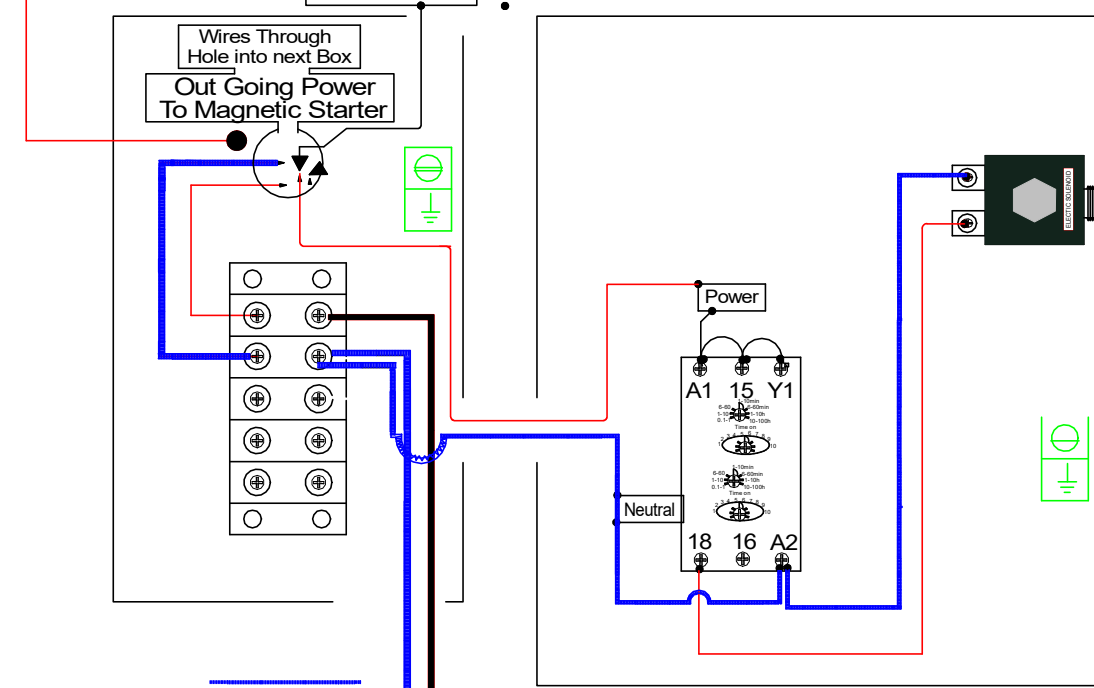
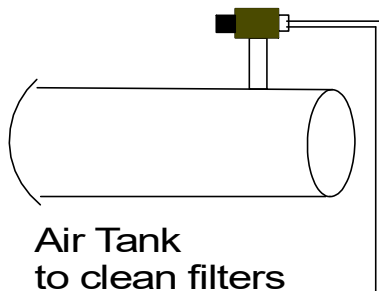
Push Button To Clean filter/s

115/220 Volt 1 Timer

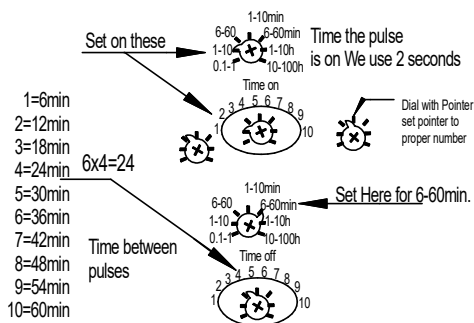


The clear Hose only carry about 5 PSI The push button drains the air from the hose causing the valve to pulse thus cleaning the filters. No Electrical power needed or incoming air needed, air comes from the air tank

Valve to clean Filters



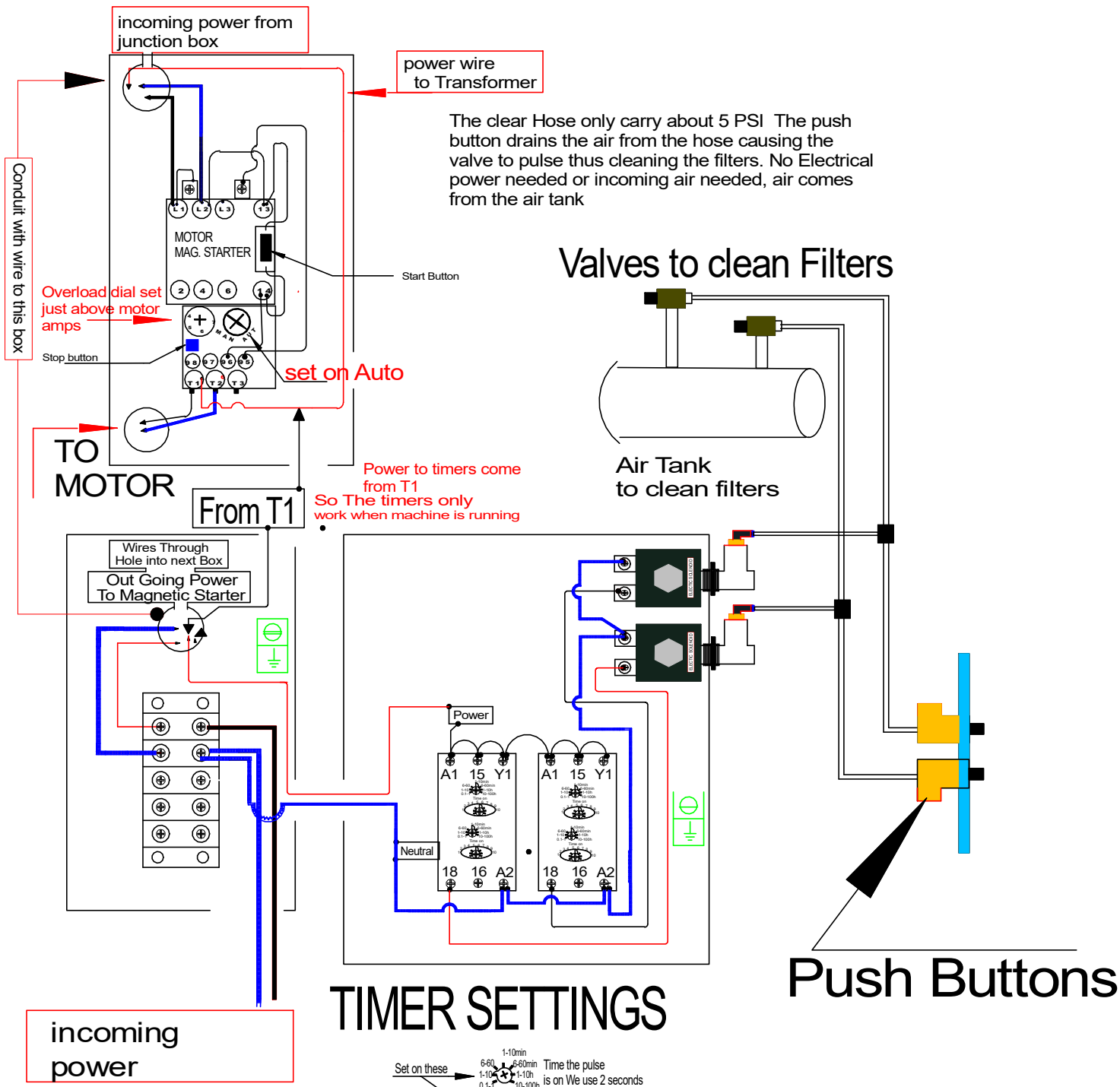
TIMER SETTINGS



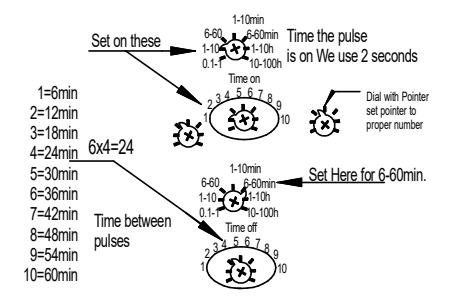
Push Button To Clean filter/s

incoming power
115/220 Volt

115/220 Volt 2 Timers

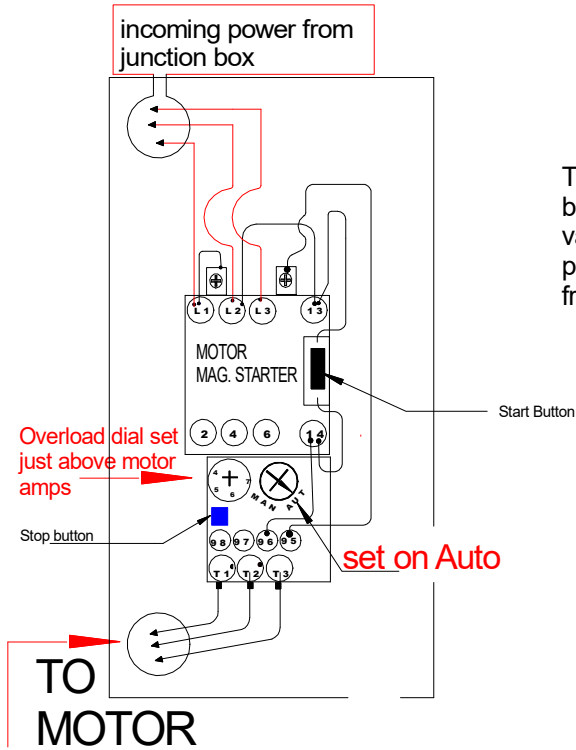


TIMER SETTINGS



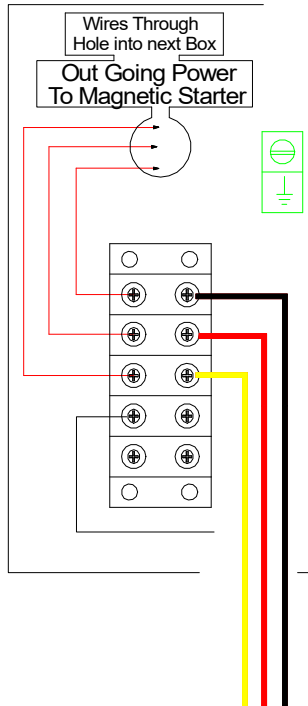
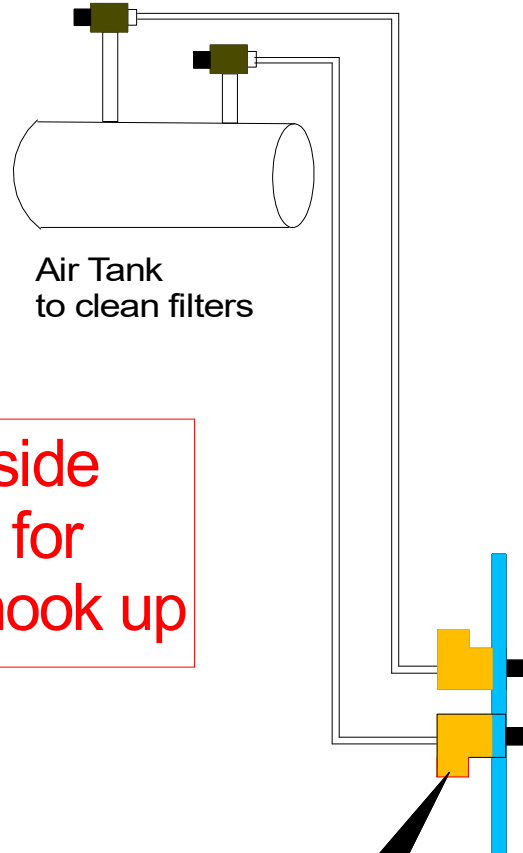
incoming power
115/220 Volt

230 Volt 3 phase push Button clean only



The clear Hose only carry about 5 PSI The push button drains the air from the hose causing the valve to pulse thus cleaning the filters. No Electrical power needed or incoming air needed, air comes from the air tank

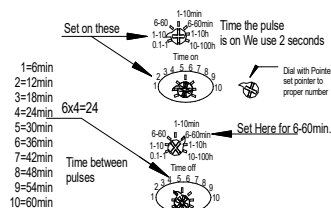
Valves to clean Filters



Box on outside of machine for easy wire hook up

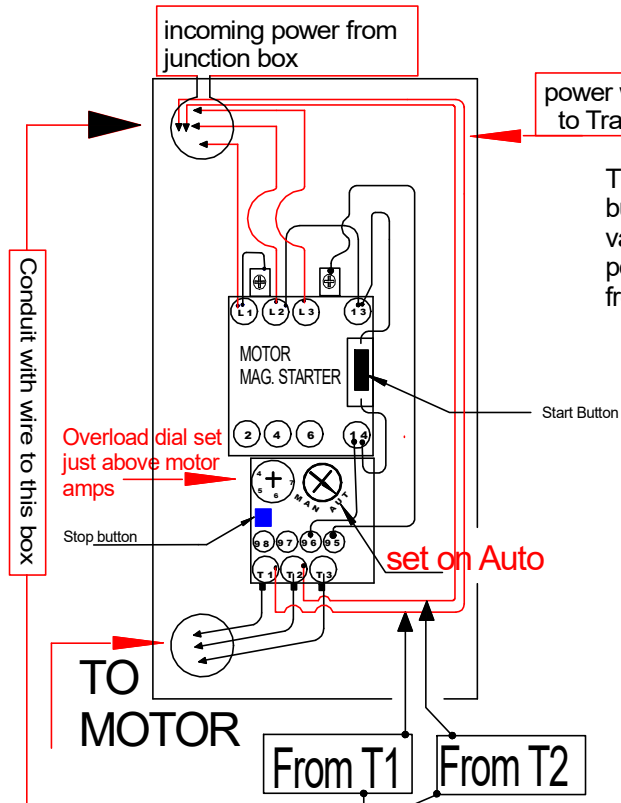
incoming power
230 3Ph -

TIMER SETTINGS



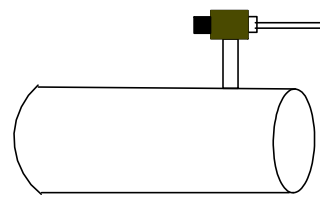
Push Button To Clean filter/s

230 Volt 3 phase 1 Timer

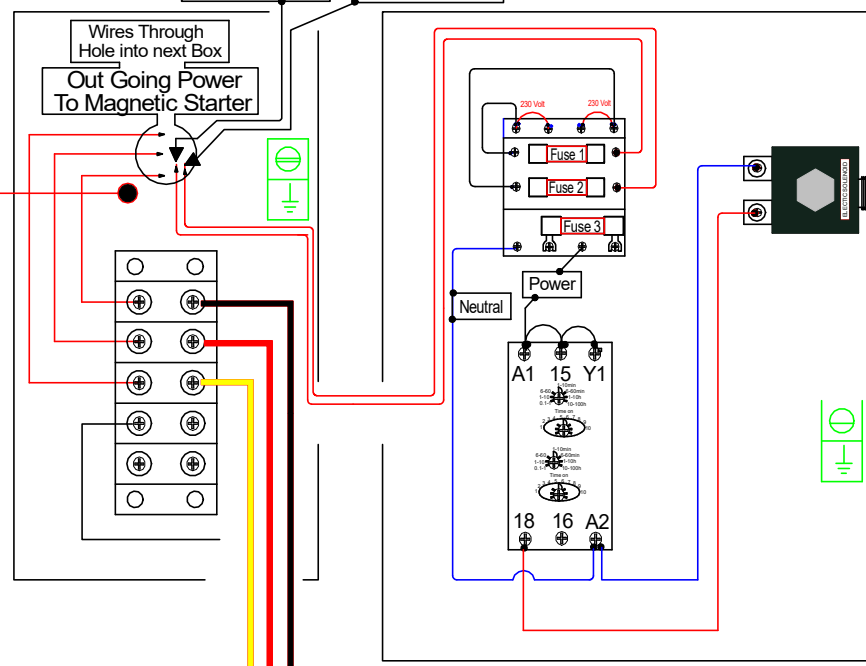


The clear Hose only carry about 5 PSI The push button drains the air from the hose causing the valve to pulse thus cleaning the filters. No Electrical power needed or incoming air needed, air comes from the air tank

Valves to clean Filters

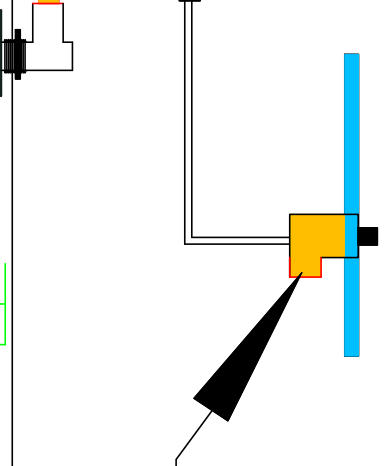
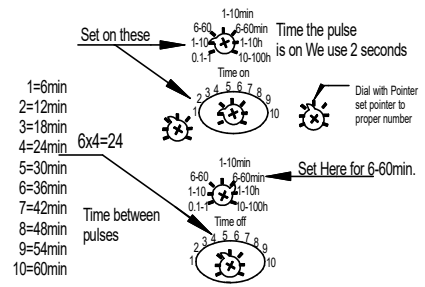


Air Tank to clean filters



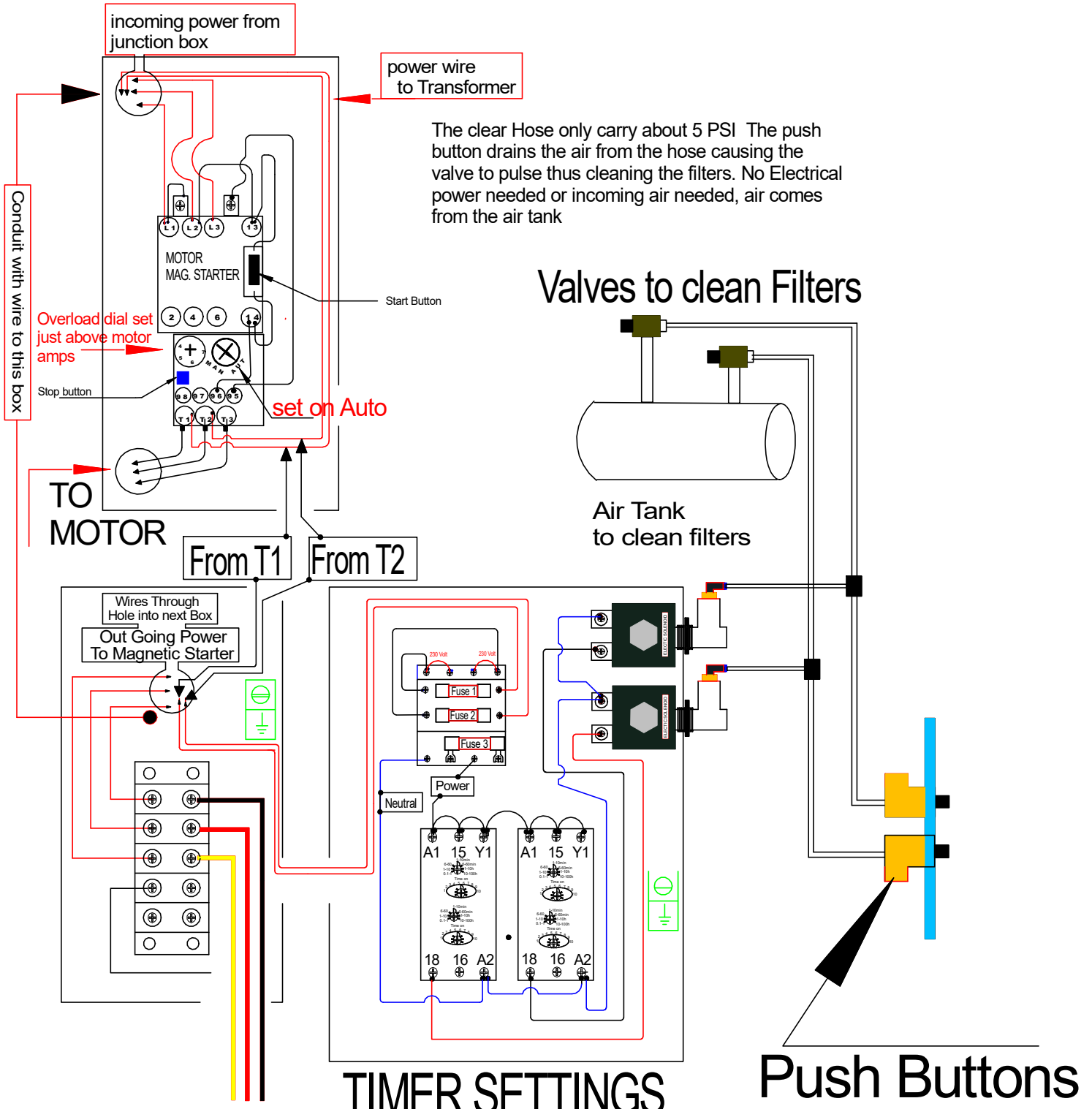
incoming power
230 3Ph -

TIMER SETTINGS



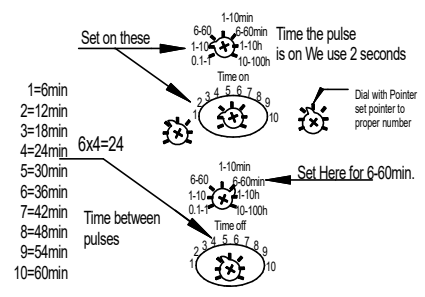
Push Button To Clean filter/s

230 Volt 3 phase 2 Timers

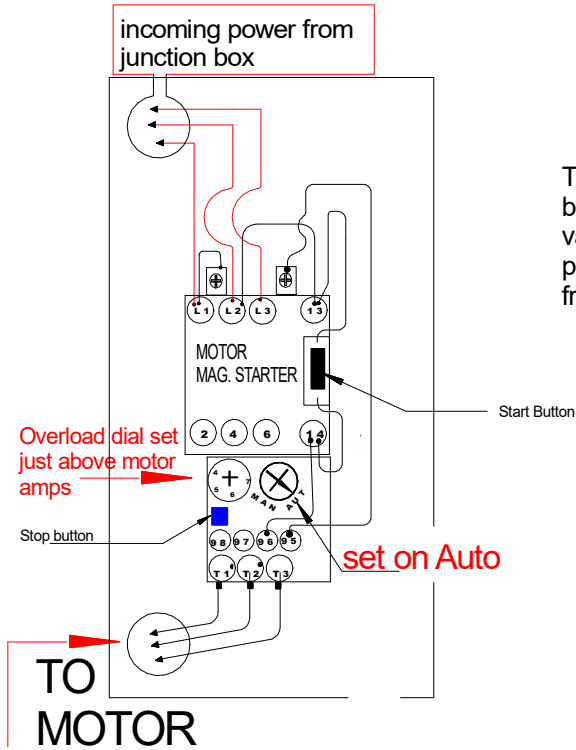


The clear Hose only carry about 5 PSI The push button drains the air from the hose causing the valve to pulse thus cleaning the filters. No Electrical power needed or incoming air needed, air comes from the air tank

TIMER SETTINGS

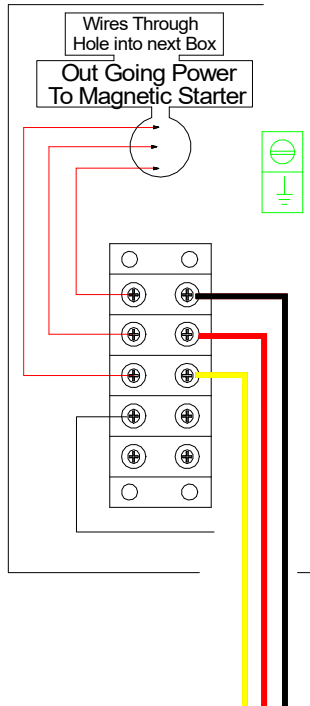
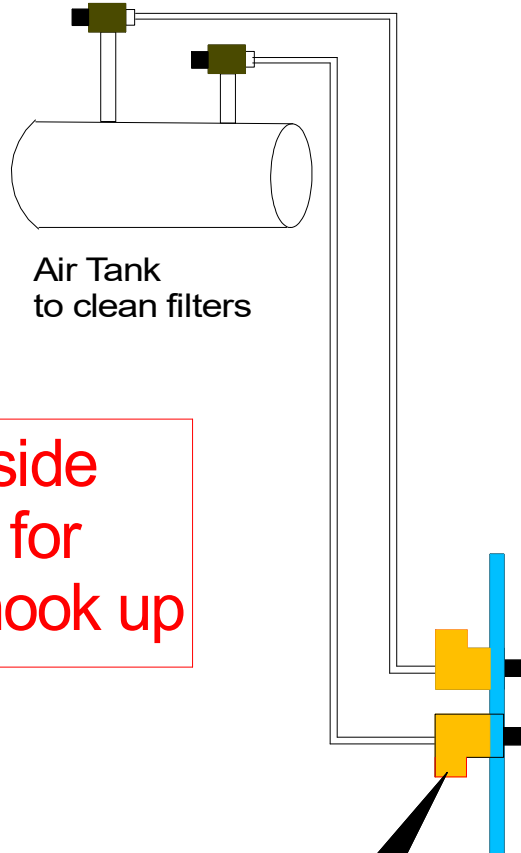


460 Volt 3 phase push Button clean only



The clear Hose only carry about 5 PSI The push button drains the air from the hose causing the valve to pulse thus cleaning the filters. No Electrical power needed or incoming air needed, air comes from the air tank

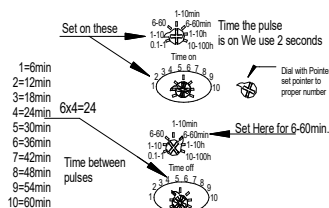
Valves to clean Filters



Box on outside of machine for easy wire hook up

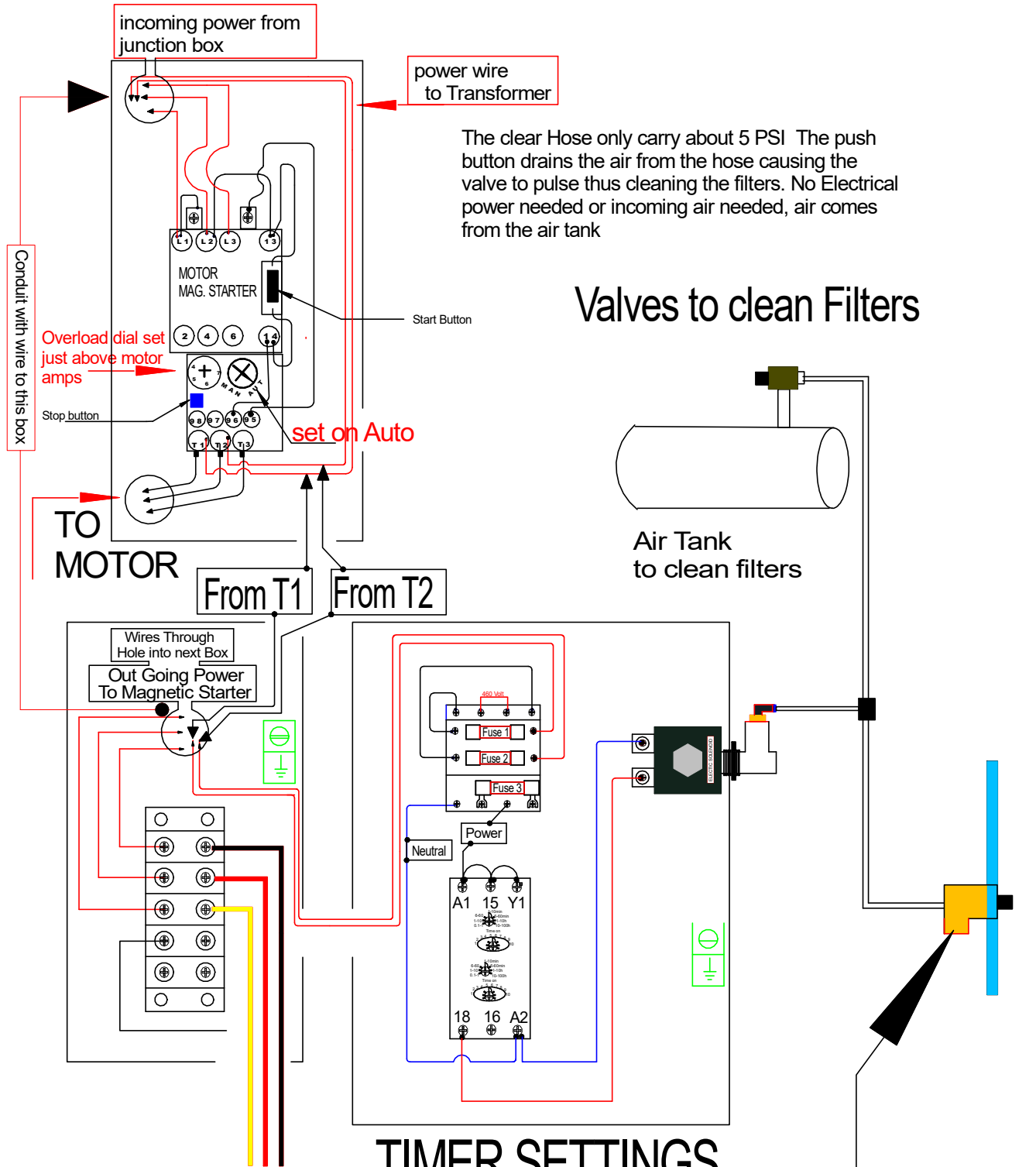
incoming power
460 3Ph -

TIMER SETTINGS



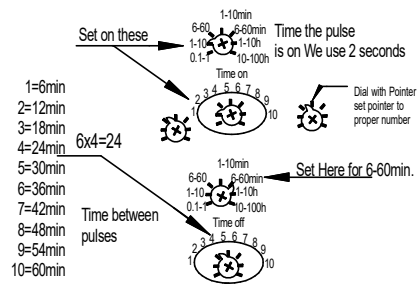
Push Button To Clean filter/s

460 Volt 3 phase 1 Timer



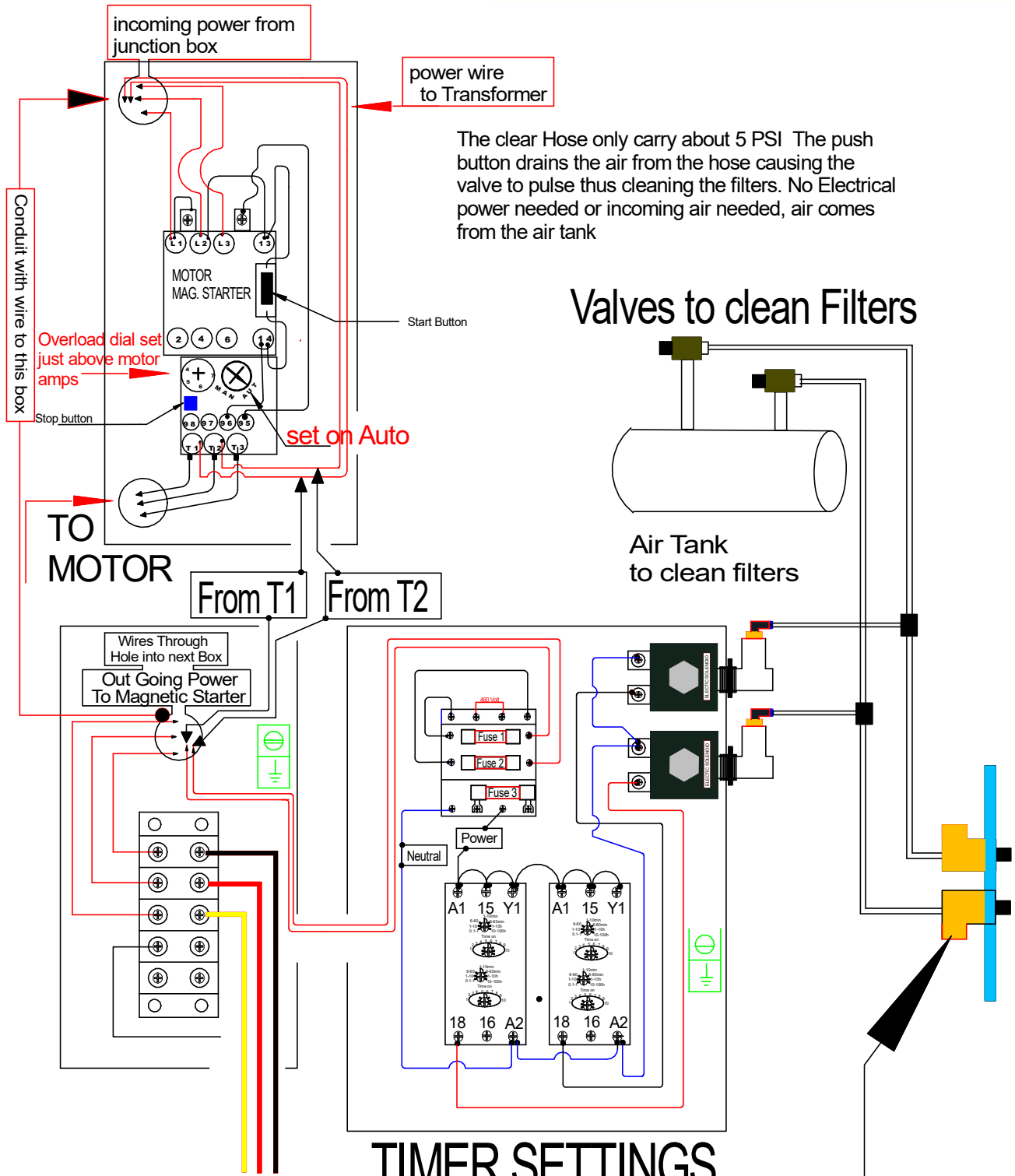
incoming power
230 3Ph -

TIMER SETTINGS



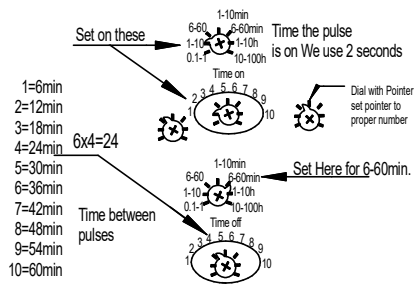
Push Button
To Clean filter/s

460 Volt 3 phase 2 Timers



The clear Hose only carry about 5 PSI The push button drains the air from the hose causing the valve to pulse thus cleaning the filters. No Electrical power needed or incoming air needed, air comes from the air tank

TIMER SETTINGS



Push Button To Clean filter/s

TROUBLE SHOOTING

All the below solutions are meant to be done only by a qualified technician

| | | | |
|----|--|--|---|
| 1 | Motor not running | Look to see if L1- L2 -L3 wires are in and secured and proper voltage is there | Check if wires at bottom of mag starter to the motor are in bottom and secured. |
| 2 | The above checks OK | In center of the contactor is a rectangle post that is hooked to coil below. With screwdriver push in and see if motor will run. If motor will run something is wrong with the push buttons, That activates the starter. | |
| 3 | Motor runs when center post is held in, but not by the switches | Make sure every wire is secured on starter if still no results call Denray for further assistance | |
| 4 | If center post is held in and nothing happens hook power leads to motor leads at bottom of mag starter if motor runs the problem is the starter. | Call factory for switch replacement | |
| 5 | If on switch closes mag starter and motor does not run. | FIRST take tester and check see if there is the proper voltage at bottom of starter | |
| 6 | If proper voltage is at bottom of starter | Check to see wiring at motor is properly hooked together | |
| 7 | Mag starter works and motor only hums | Check for proper voltage check all wire connections to be tight check wiring diagram and motor leads to be correct | |
| 8 | Motor runs for a few minutes and shuts off | Turn the amp dial on overload to increase the number. Increase only 1 amp at a time Never increase more than 2 amps above motor full load amps | |
| 9 | Filter Cleaning valve will not pulse | Check the three 1 amp fuses on top of the transformer in the switch box. | |
| 10 | Fuses OK | Check wiring in front of and behind the fuses | |
| 11 | Fuses and wiring checks out OK | With it being quiet activate the switch and listen to hear a clicking sound from the valve or valves. | |
| 12 | You hear it clicking | Make sure air is hooked up to tank | |
| 13 | Air is hooked up and it still clicks | Call Denray Replace valve | |

TROUBLE SHOOTING

All the below solutions are meant to be done only by a qualified technician

| | | |
|----|--|---|
| 14 | Machines with timers Timer not working | Check fuses:: Check wiring between mag starter and timer. Any loose connection, secure the connection |
| 15 | Green light on timer does not work | See above Bad timer needs replacement |
| 16 | Filters need to be cleaned more often | Turn dial on timer to a lesser number set at factory at approx. every 20 minutes. |
| 17 | Lots of dirt remaining on filters after being cleaned | Decrease time between cleanings. Check air pressure going into machine. Keep between 100-140 psi |
| 18 | Filter never completely cleans all dirt off | Not supposed to:: Machine designed to operate at 30% filter blockage. The cleaner a filter is the better the machine will perform. |
| 19 | Loss of suction on top of table | Dirty filters :: Refer to above |
| 20 | Excessive exhaust air on the floor | Any air that is sucked into the table top must come out in exhaust somewhere. Look into adding Muffler to machine |
| 21 | Dirt packed in top 1/3 of filters | Rotate filters two times a week 1/4 turn |
| 22 | Inside of filters are rusty colored | Blowing water from air tank inside of filter. Drain air tank more often (daily if possible) Installation of a dryer or water trap may be necessary |
| 23 | Filters will not come clean | Pull filters out of machine and take blow gun and from inside blowing out give filters a deep cleaning |
| 24 | How often do I need to do the above | Some companies do it daily and some weekly and some monthly. You must determine that for yourself |
| 25 | Moisture blowed in filters will make filters harder to clean | Refer to 22 |
| 26 | Are filters washable? | Spun-bond filters in the grind tables can be washed only a couple times and must let thoroughly dry. Filter cleaning service companies may be available in your area. |

TROUBLE SHOOTING

All the below solutions are meant to be done only by a qualified technician

| | | |
|----|---|--|
| 27 | Fan making a loud roar | Fan rotation backwards, on three phase, switch wires on L1 and L2 |
| 28 | Lack of proper suction | Fan running backwards will produce 2/3rds less suction check fan rotation Verify Correct Fan Direction on your Machine |
| 29 | Machine vibration on direct drive systems | All fans are factory balanced from fan company, fans checked and rebalanced at table MFG, if table has vibration, fan weights may need to be moved to another blade. |