

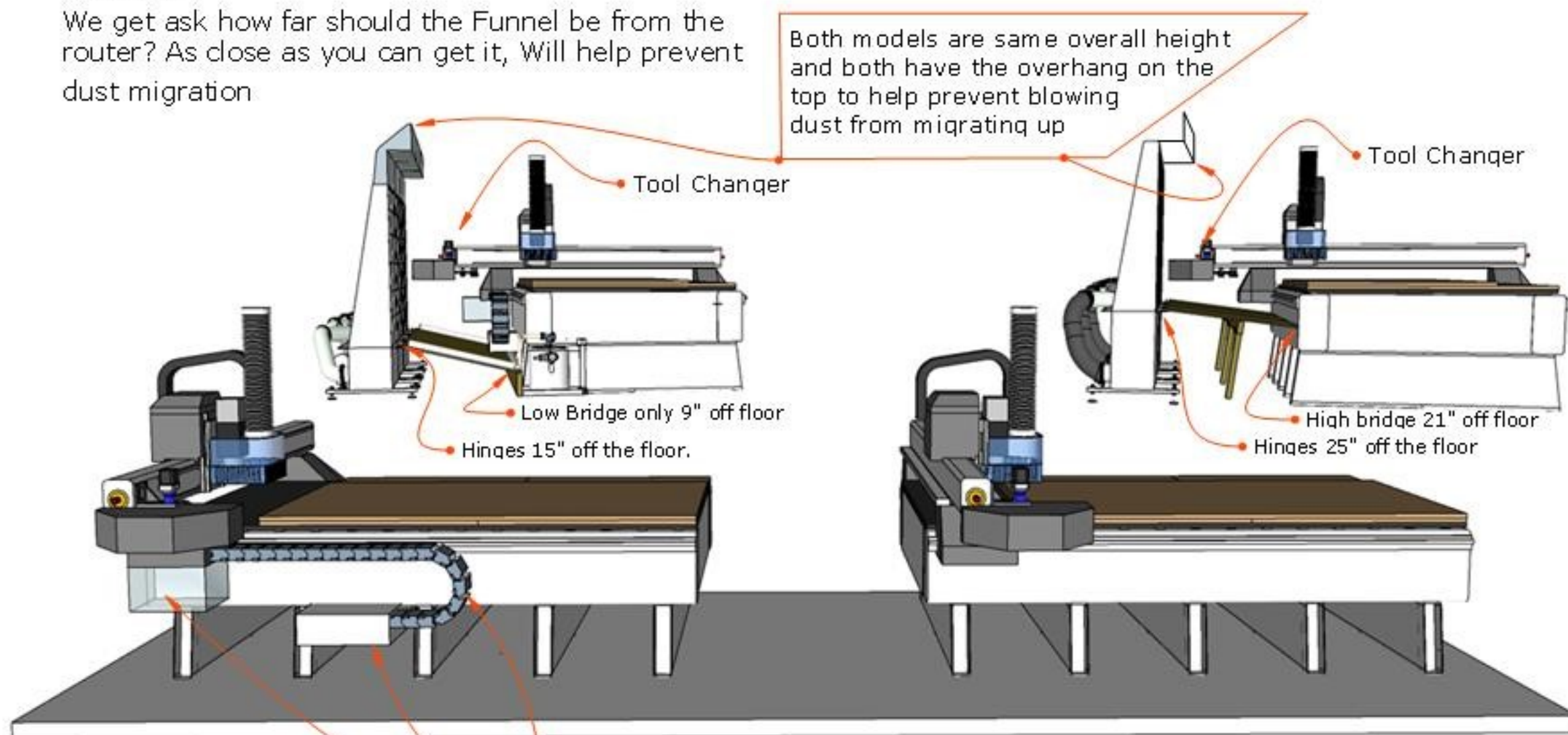
Which Version Will Work On My Router ?

There are so many different routers, the difference that needs attention when selecting the proper DUST FUNNEL. It is, what is on the backside of your router is what determines which Dust Funnel you need. The bridge is what connects the router and Funnel together, the bridge is what catches the dust between the two.

The left machine has a cable/hose carrier and also a box under the carriage arm, the right side machine does not have those items. These are for mere descriptions and are of no representations of any certain models of machines.

We get ask how far should the Funnel be from the router? As close as you can get it, Will help prevent dust migration

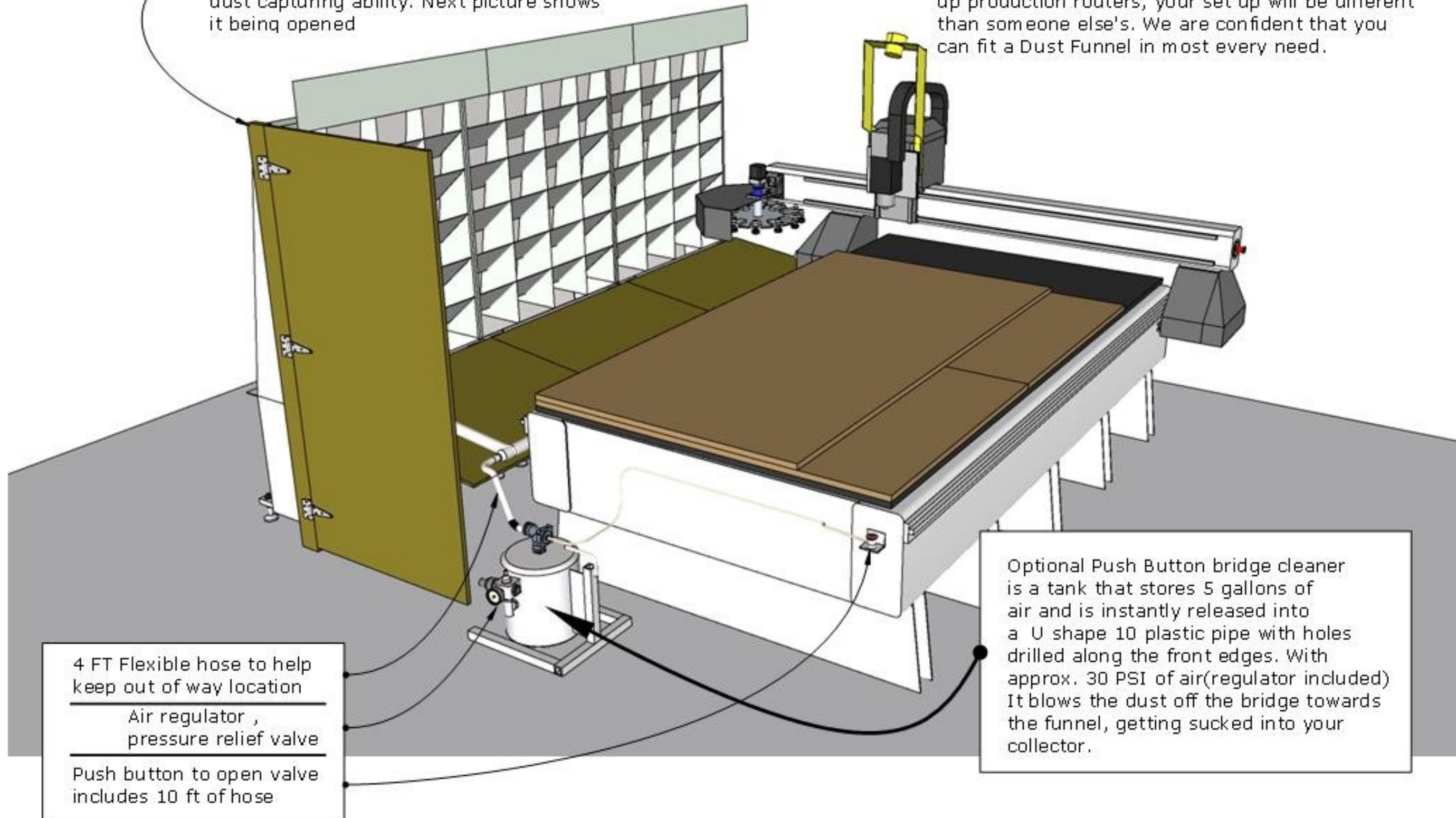
Both models are same overall height and both have the overhang on the top to help prevent blowing dust from migrating up



Cable carrier, distribution boxes, The items on the left machine will determine that the lower model is needed. The bridge needs to go under these things. The hinge on the low bridge is 15" off the floor and 25" on the high bridge.

The dust funnels come with holes in the sides to allow a 2x4 to be screwed to the edge, then a piece of 3/4" plywood hinged to the board. Corners if possible will enhance dust capturing ability. Next picture shows it being opened

Many set possibilities are noted here, we are just providing a few ideas that may either work in your application or spawn some ideas that will work for you. There are so many ways of setting up production routers, your set up will be different than someone else's. We are confident that you can fit a Dust Funnel in most every need.



Optional

Wooden Bridge Push Button Clean

WBPBC Part Number

Introductory Price 749.00

Aug 2018



What all is included in the push button clean system?
The Tank, Valve to release the air, air pressure regulator and gauge
5 foot flexible hose, PVC pipe with holes drilled, enough for length
of bridge and 3 ft on the ends, 1 can of glue, to cut and glue to fit
the needs of that system, Clamps to hold the PVC to bridge.
Push Button to release the air, and mount to mount to machine,
10 ft of 1/4" hose to reach the push button



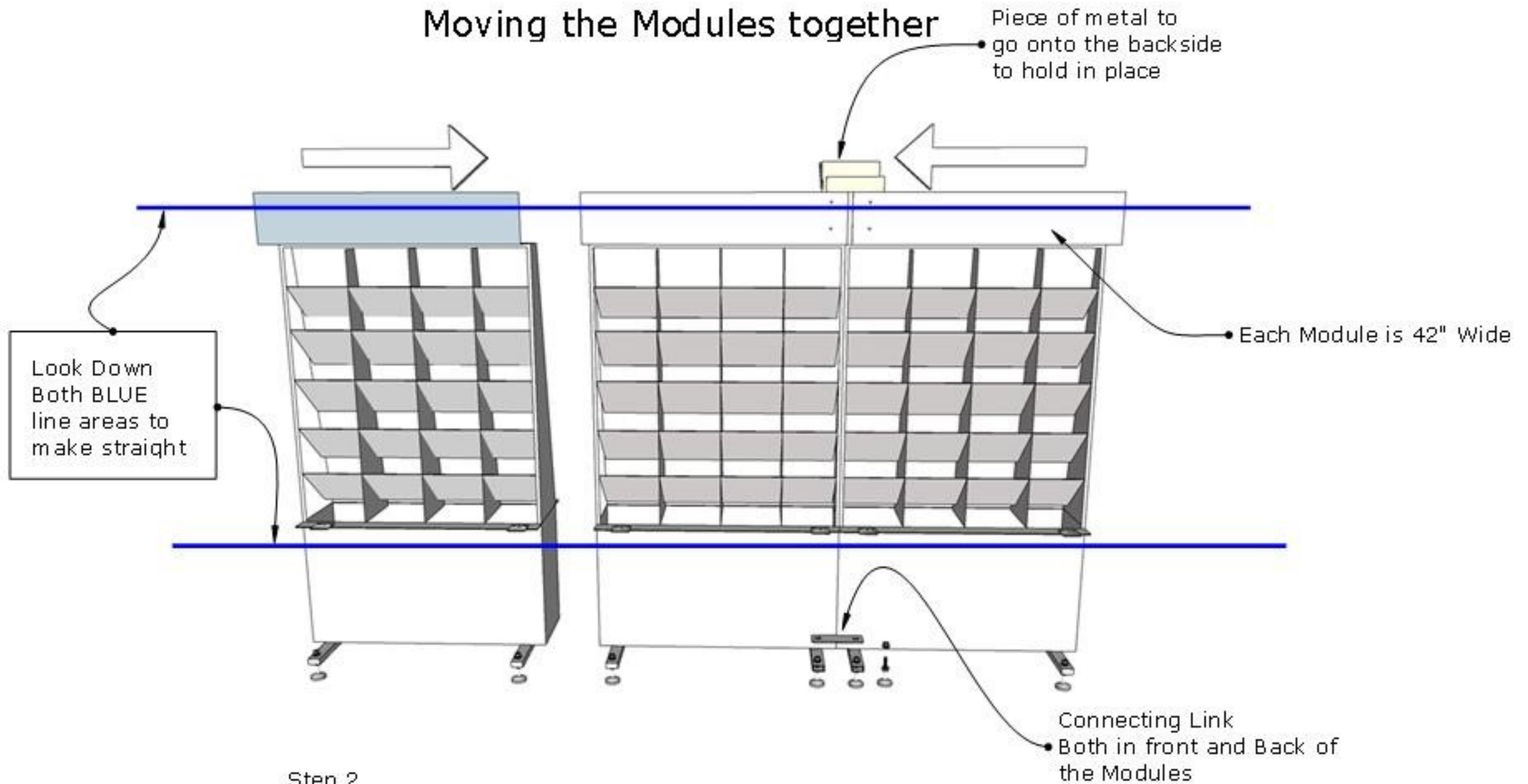
Wooden Bridge Manual Blow off Cleaner, if there is room for access on either end, the manual blow pipe may fit your need. On 2 five inch wheels it has a 90 degree blow pipe that slides next to router or edge of Bridge. This pipe will work for either end, With 6ft of pipe this should reach to the end of most Dust Funnel wooden bridge set ups. Has blow gun and air regulator for the exact controlled air pressure. It blows the dust off in front of the wheels preventing the problem of rolling through dust piles.

Optional Wooden Bridge Manual Pipe Cleaner

WBMPC Part Number
Introductory Price 249.00
Aug 2018



Moving the Modules together



Step 2

When setting the modules together before tightening the connecting links, look down the front edge to get as straight as you can before tightening the nuts onto the links. Not being straight will cause issues with the wooden bridge later.

Back of 3 Modules

The manifold is bidirectional can be set up to go out either side

Dust pipe manifold for a 3 Module setup

Manifold Pipe Sizes

- 2 Modules 7"
- 3 Modules 8"
- 4 Modules 10"

Hose from Dust Collector

Large Plastic Zip Tie

Eyelet for the large Plastic Zip Ties to hold the manifold in place

The one opposite of the hook up will not be used

When setting manifold in place it sets on the little 3" shelf in the back, EXTEND the end 2-3" out from the side, makes so much easier to hook up hose coming from dust collector

6" Hose Clamps in the Accessory Box 1 for each Module

