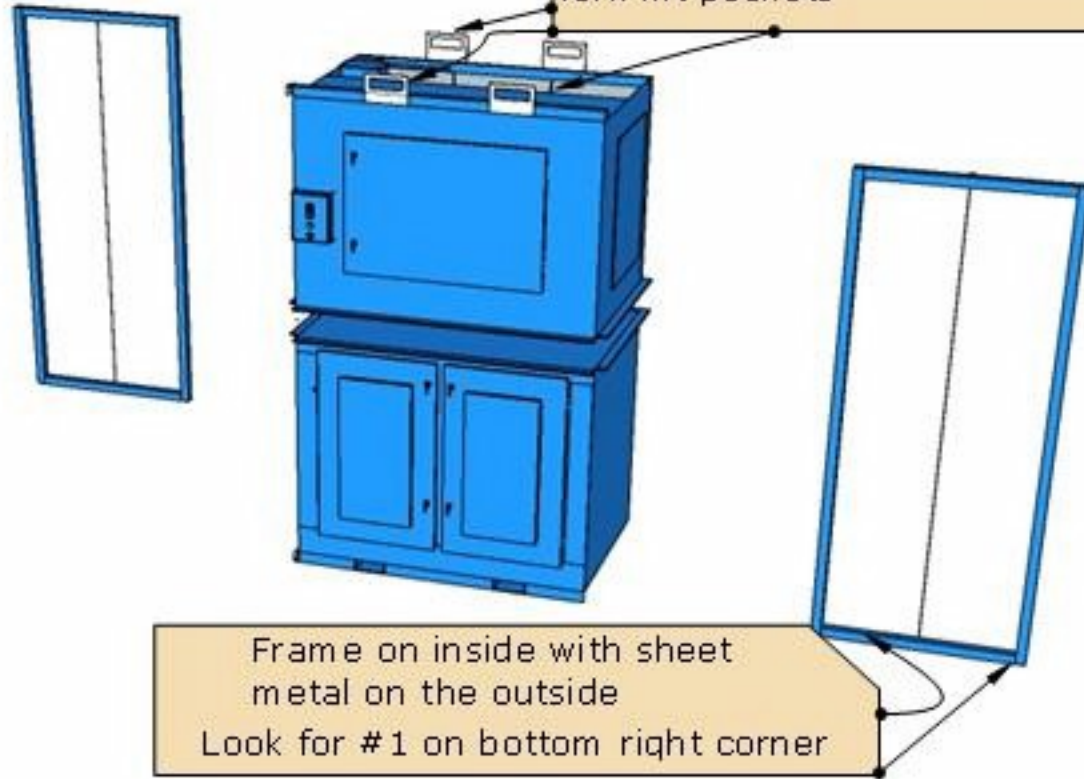


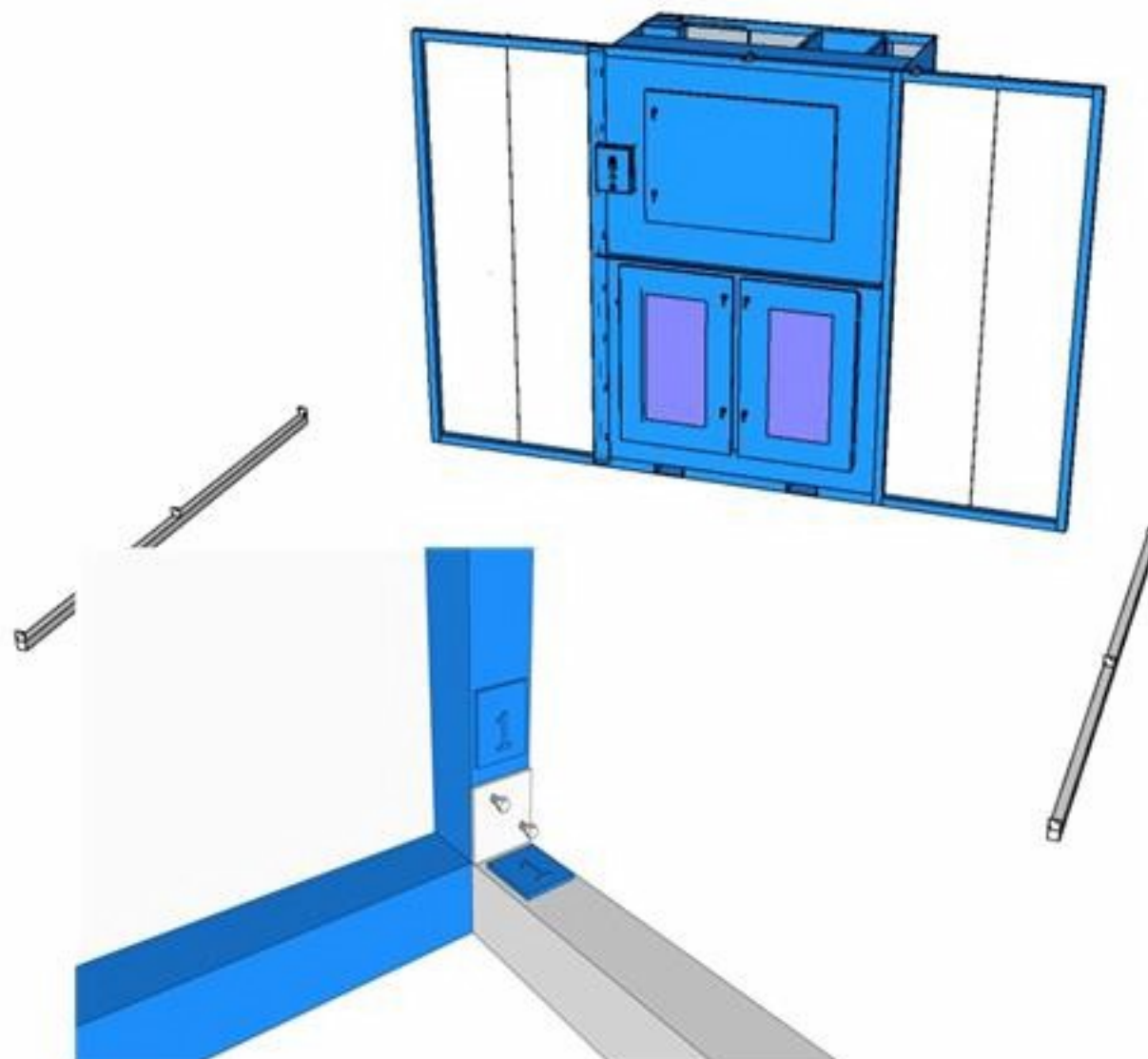
Step 1

Locate The bottom filter unit where you want the unit to set. Using forklift, set the power/motor unit on top of the filter unit (Large phillips screwdriver or line up punches works good to align the two units up together) NEVER tighten a bolt until all bolts are in place, in the event the unit needs to be adjusted. These units have been preassembled at the factory.

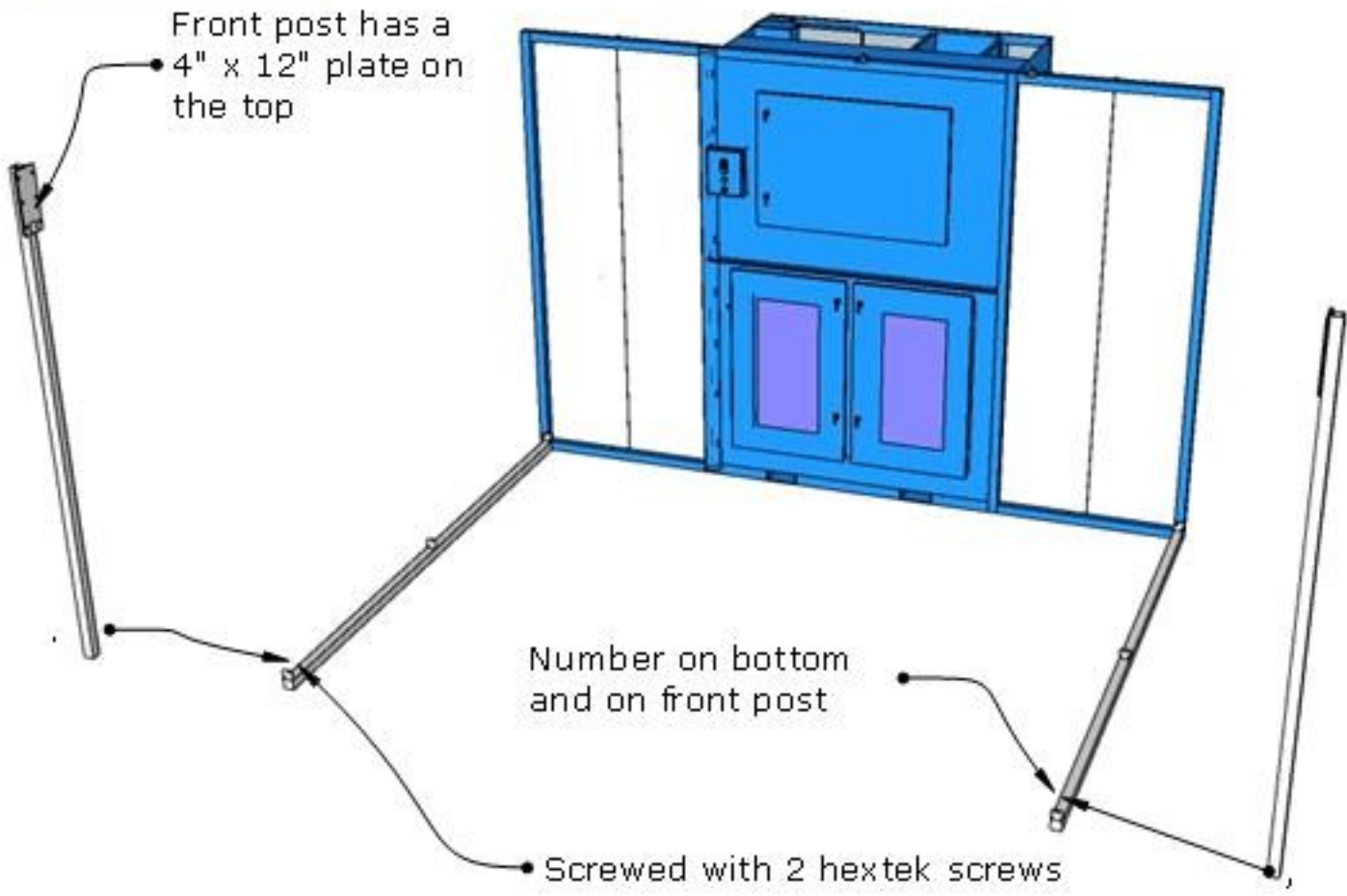
After top has been set, Remove the fork lift pockets



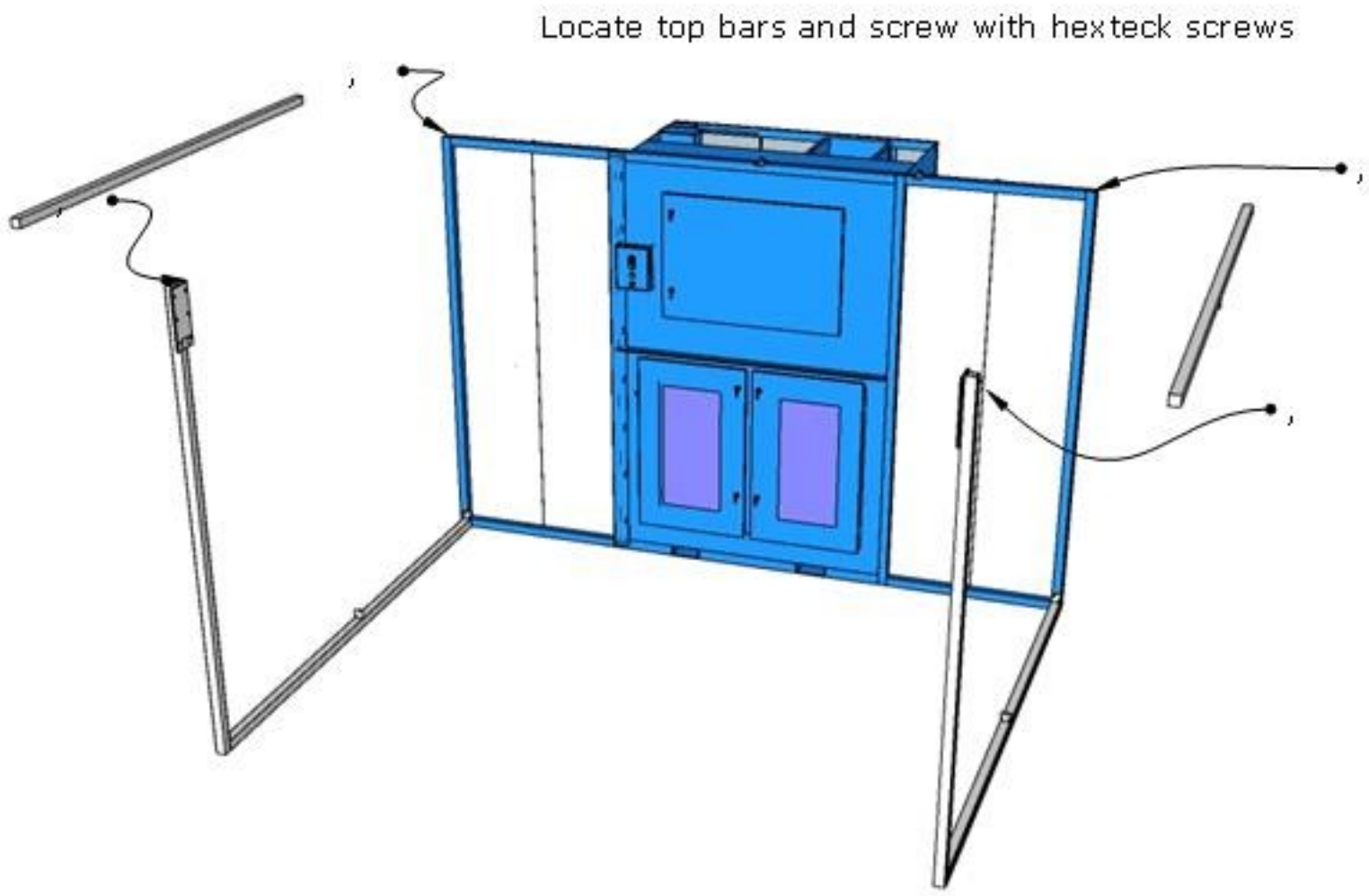
Step 2



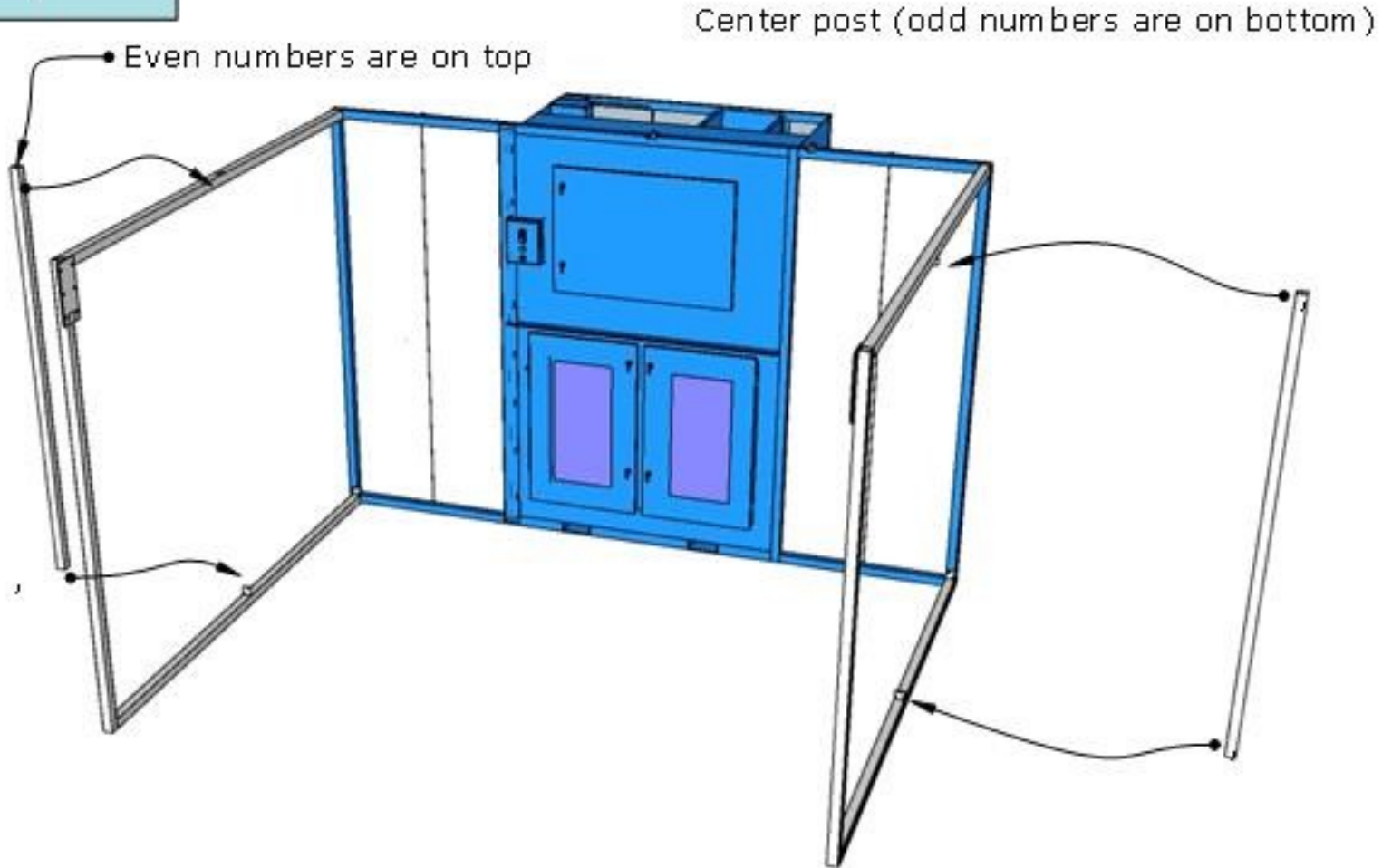
Step 3



Step 4

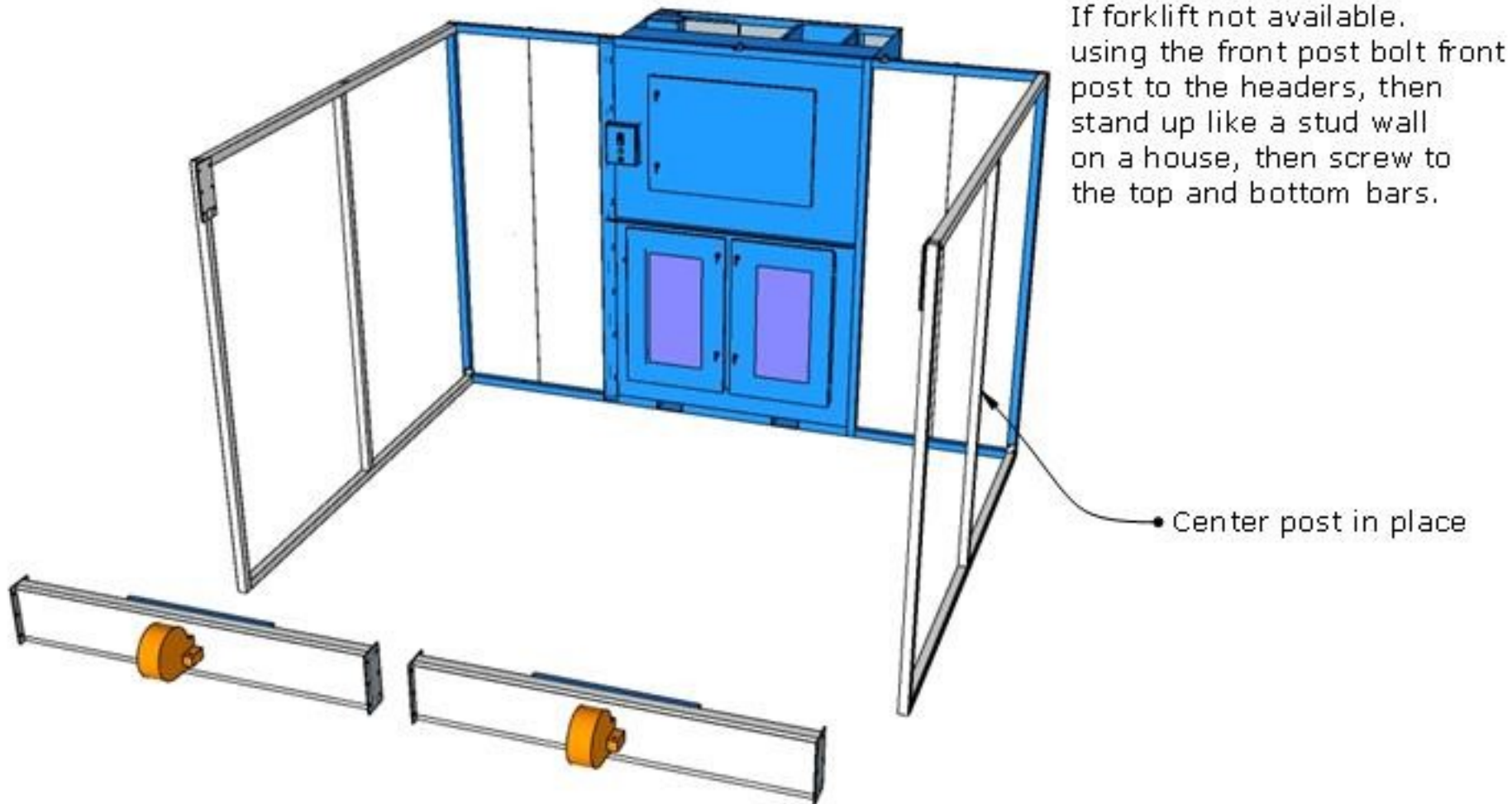


Step 5

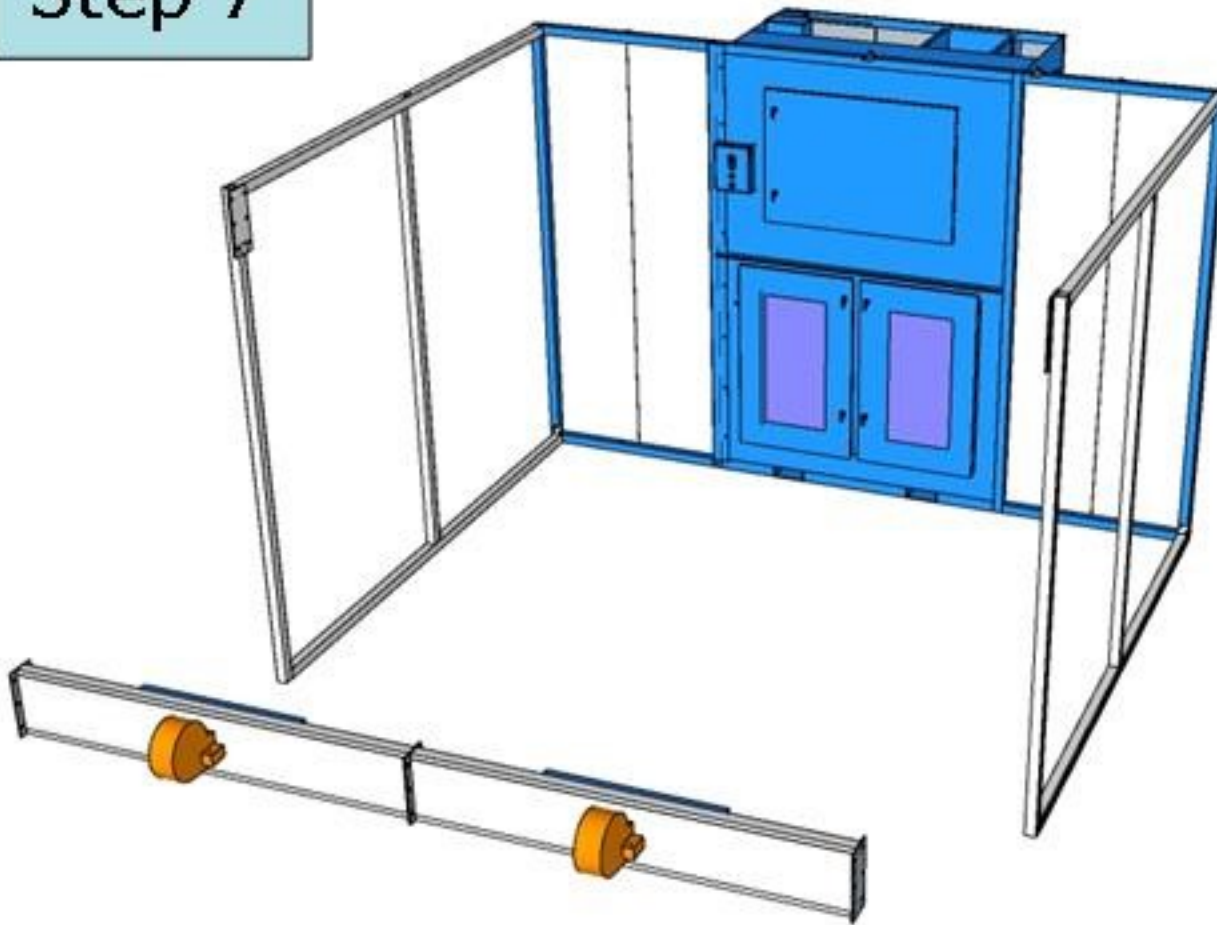


Step 6

Front headers Bolt together on the floor, and lift up with forklift



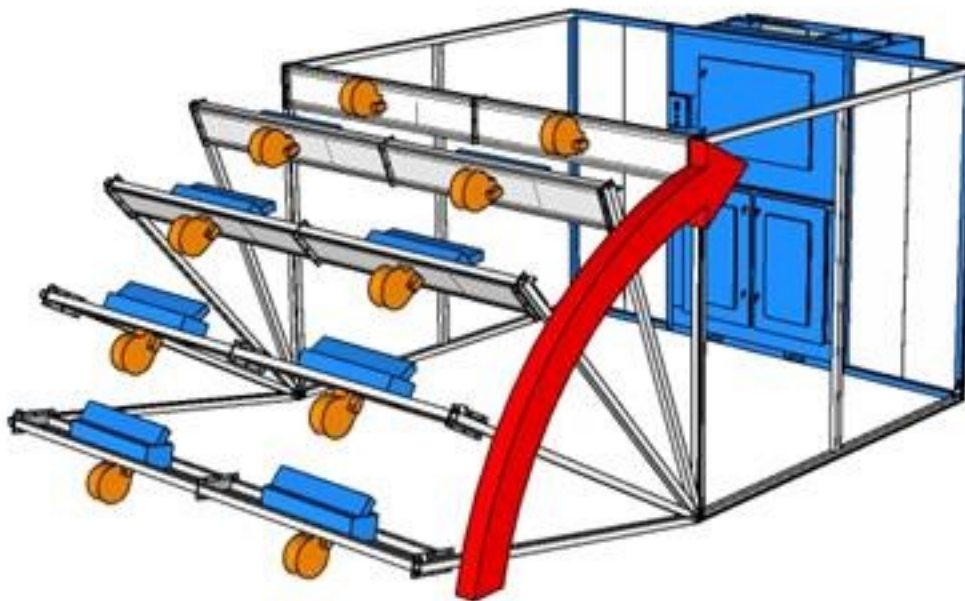
Step 7



Placing the Headers with positive air fans in place

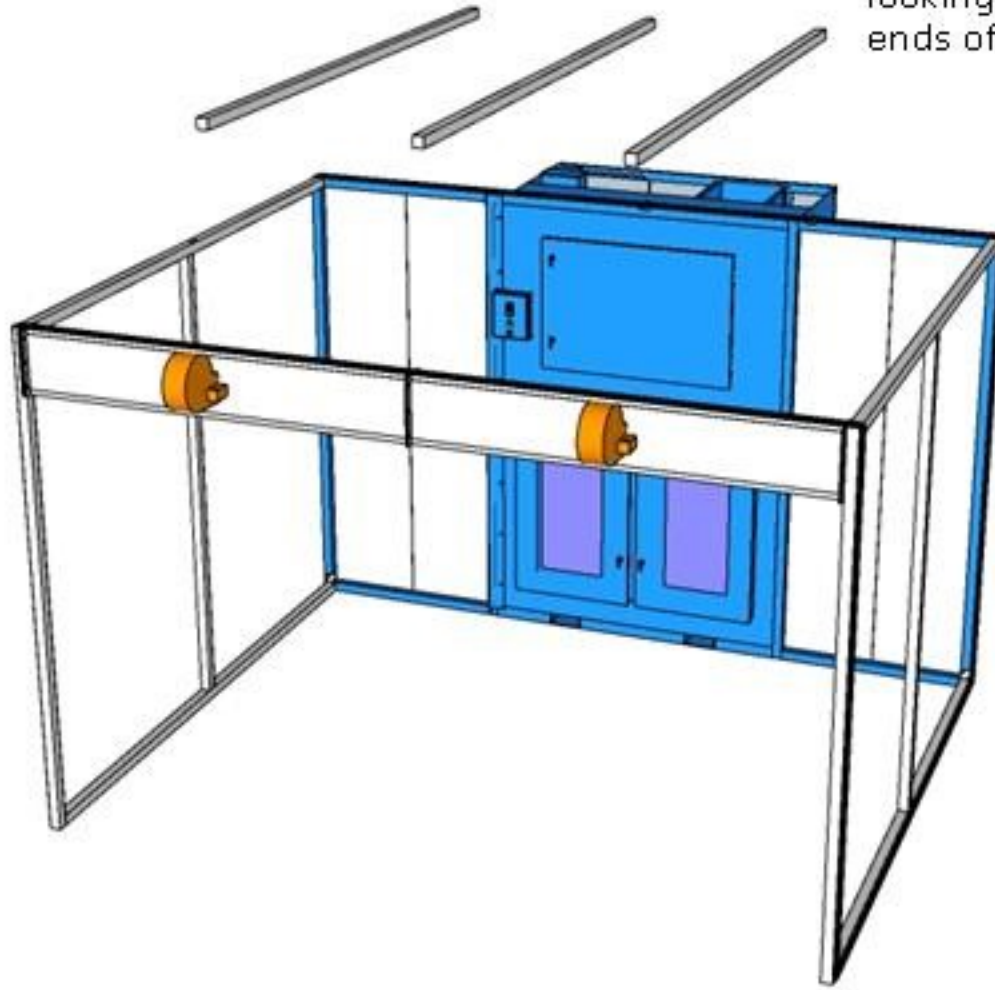
Step 8

Bolt the headers together then bolt to the post, Top bolt on the inside can not be used, because it will hit the tube.



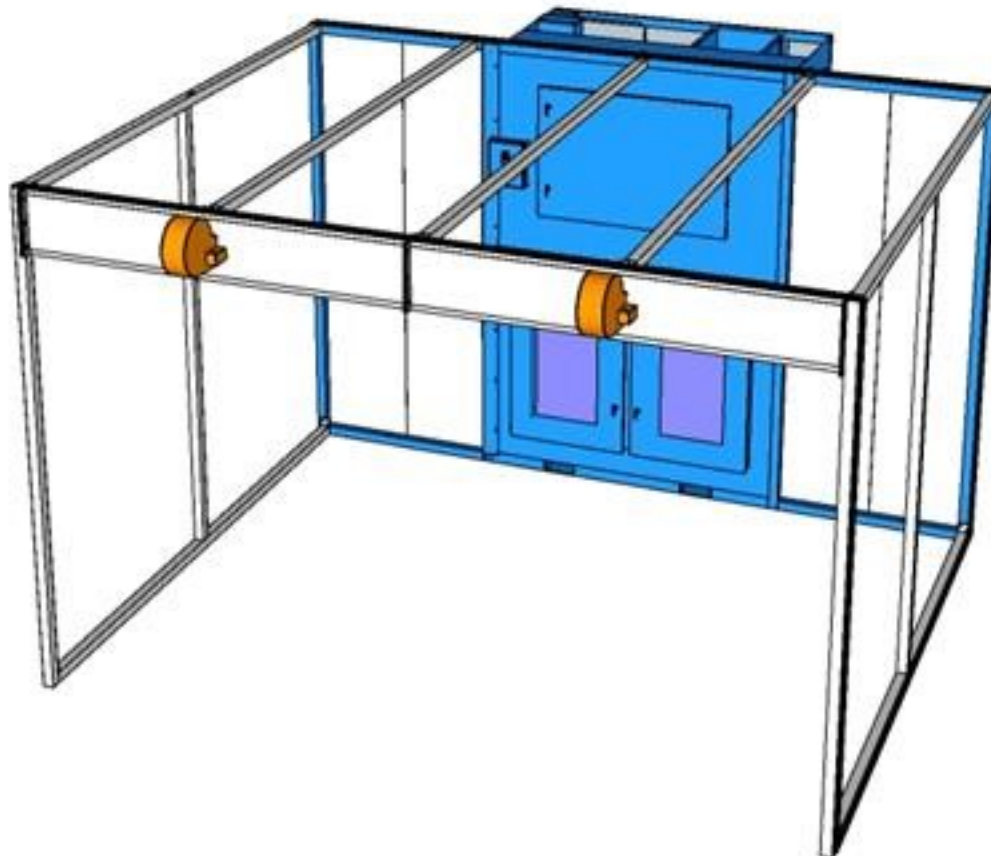
Step 9

Locate the bars that fit overhead looking for EVEN numbers at the ends of the bars.



Step 10

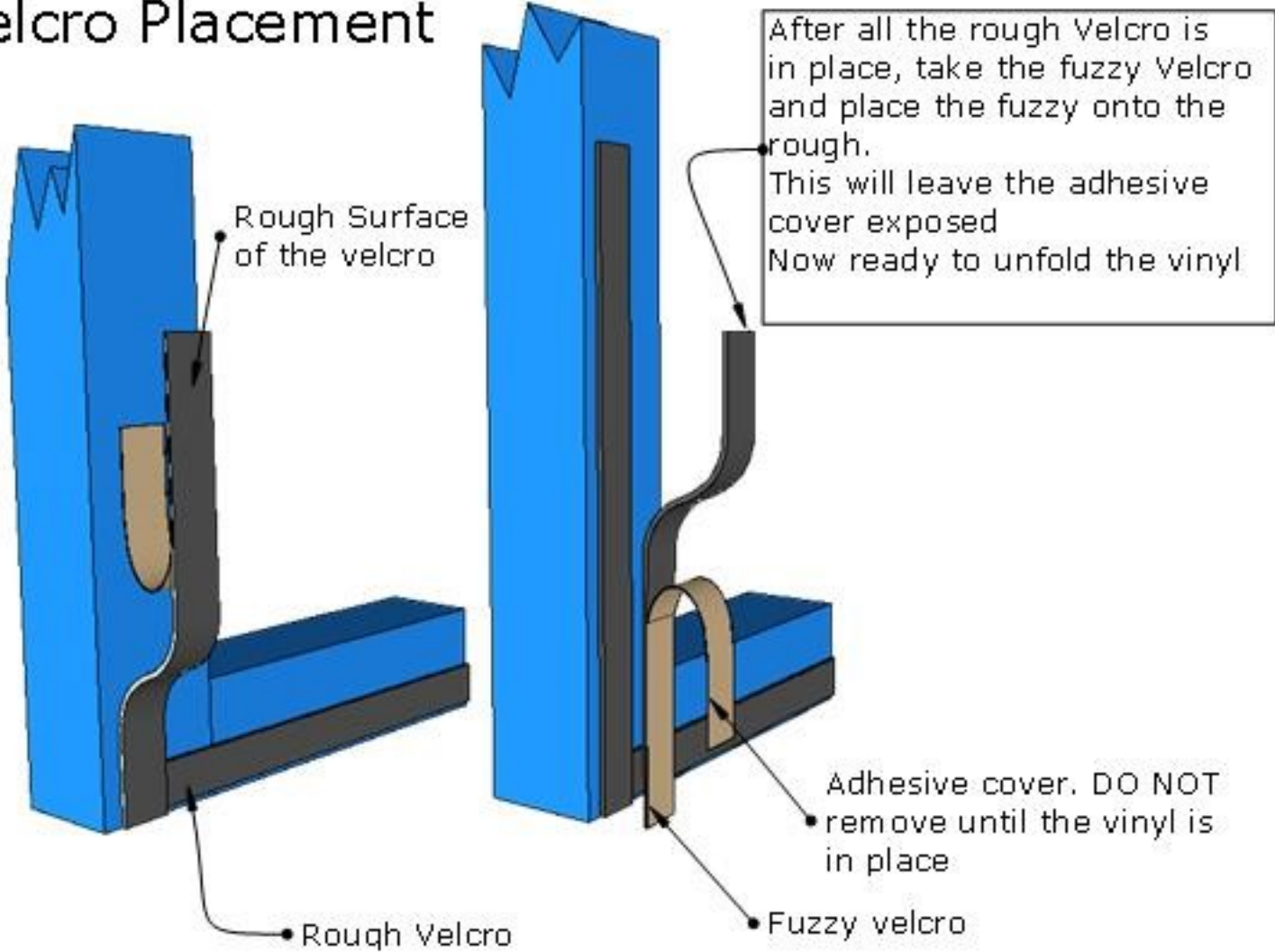
After the bars have been located, place on top of the front and back and screw into permanent location.



Step 11

Velcro Placement

Peel off the adhesive and place it on the tube between 1/4-1/2" from edge
 The Velcro will only go on the following tubes
 Bottom Tubes
 Front vertical tubes
 Back vertical tubes
 Front Top
 Back top



Step 12

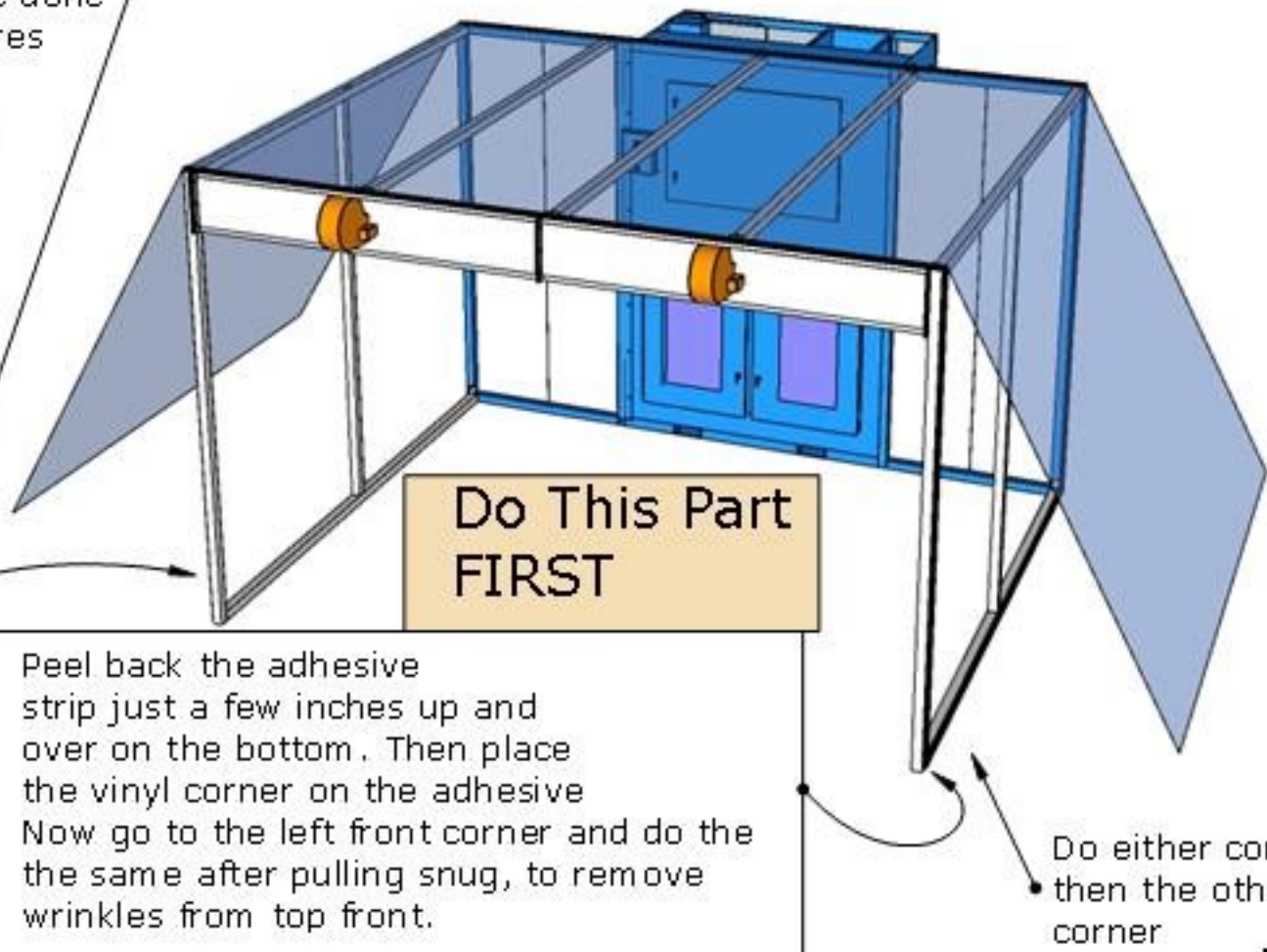
Do This Part Second

After front corners are done
 Do the same procedures on the back corners.
 Now go back to front and start peeling the adhesive off and sticking the vinyl to the 2nd Velcro layer.
 Do this all across the front.
 Then going to the back, PULLING all the wrinkles out, and sticking to the velcro

Place the vinyl on top of cage, then unfold/unroll it.
 The unrolling part may be easier to do if a couple boards like 2x4's were laid up on top before trying to unfold.
 If you are thinking about laying out on a floor and unfolding then placing on top, Think about it real hard, we have moved machines requiring us to do different things with the vinyl, we find out unrolling from the top is the easiest. The boards helps prevent the roll from falling in between the tubes holding the top.

Do This Part FIRST

Peel back the adhesive strip just a few inches up and over on the bottom. Then place the vinyl corner on the adhesive
 Now go to the left front corner and do the the same after pulling snug, to remove wrinkles from top front.

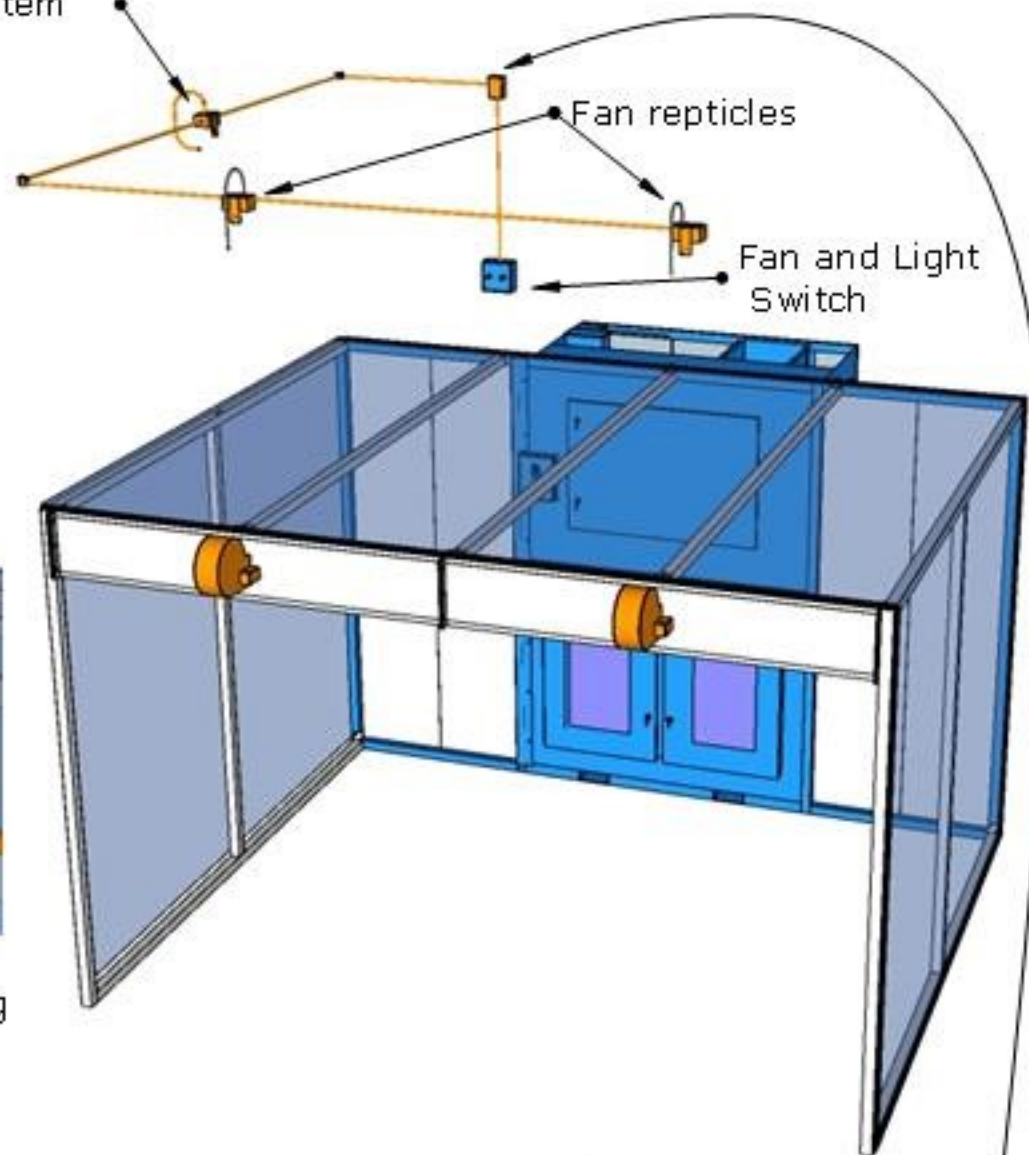
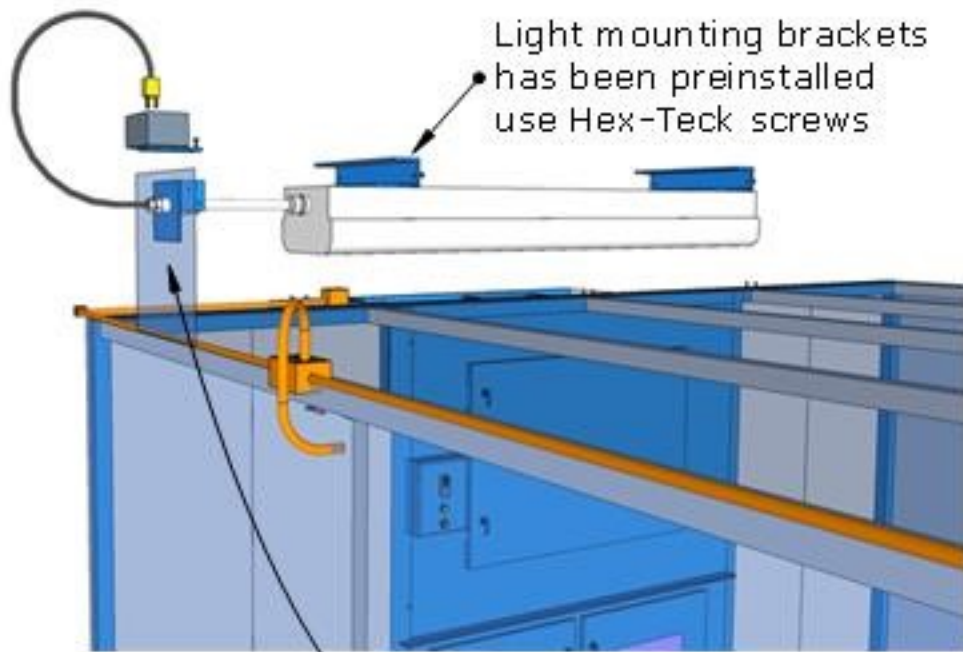


Electrical component parts

Step 13

Through the vinyl system

The light through the vinyl application



Step 14

A slit will have to be cut big enough for the plug in to go through

Cord for lights and fan connect to the machine here

Cord coming from this box ties into box in the top of the machine, Cord grip in side of machine for cord to go through the wall.



Using the screws and fender washers, Place the screws to secure the vinyl and Velcro together, Temperature changes makes the vinyl shrink and swell, causing Velcro to come loose. Place screws randomly, about every 16"

